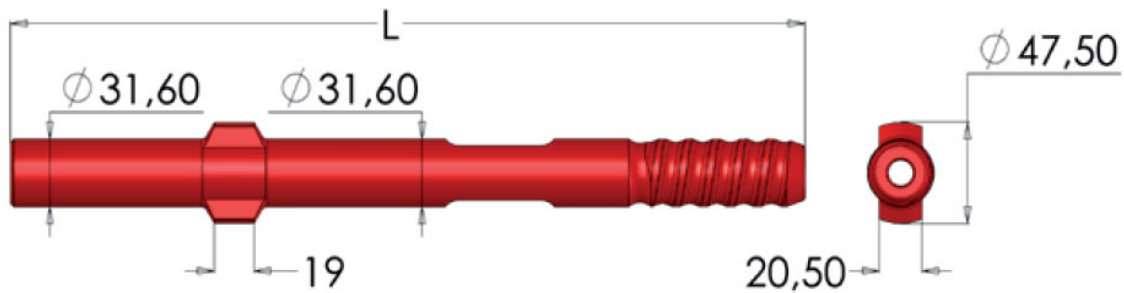


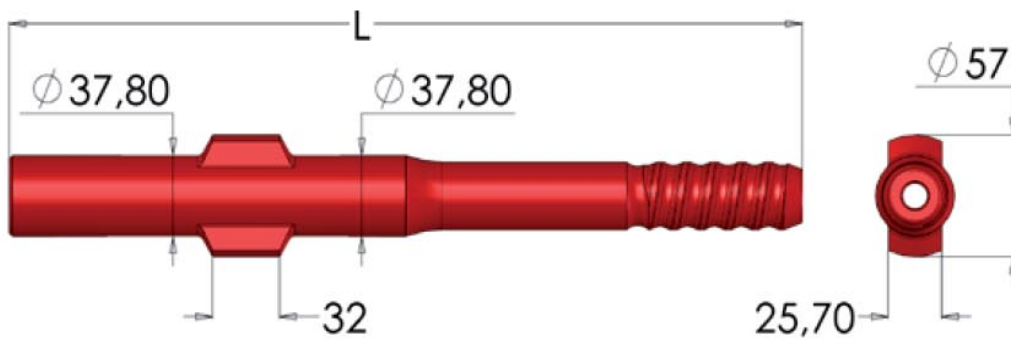


## Shank Adapters - Atlas Copco - BBC100380



Part Number	Thread	MM	Diameter	Weight
TR-BBC100R25380	R25	380	32.0	1.85
TR-BBC100R32380	R32	380	32.0	1.95

## Shank Adapters - Atlas Copco - BBC120380



Part Number	Thread	MM	Diameter	Weight
TR-BBC120R32380	R32	380	38.0	2.70
TR-BBC120R38380	R38	380	38.0	3.00
TR-BBC120T38380	T38	380	38.0	3.05

## Shank Adapters - Atlas Copco - BBE57447



**Part Number**  
TR-BBE57R38447

Thread	MM	Diameter	Weight
R38	447	45.0	5.10

**Shank Adapters - Atlas Copco - BBE57537**



**Part Number**  
TR-BBE57T38537

Thread	MM	Diameter	Weight
T38	537	45.0	5.50

**Shank Adapters - Atlas Copco - BBE57550**



**Part Number**  
TR-BBE57T45550

Thread	MM	Diameter	Weight
T45	550	45.0	6.25

**Shank Adapters - Atlas Copco - AC1028400**



**Part Number**

TR-AC1028R28400  
TR-AC1028R32400

**Thread**

R28  
R32

**MM**

400  
400

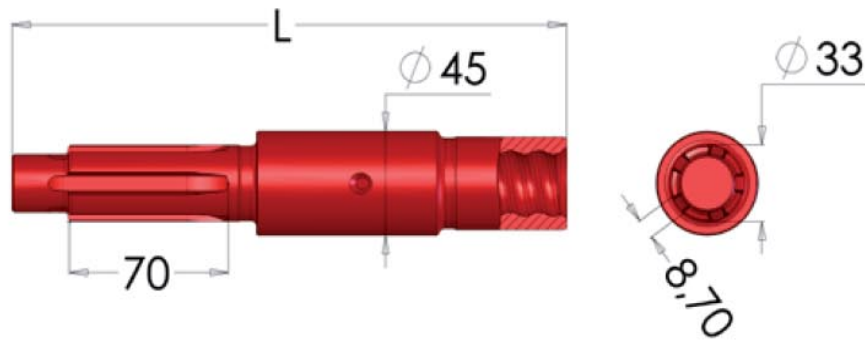
**Diameter**

45.0  
45.0

**Weight**

2.65  
2.90

**Shank Adapters - Atlas Copco - AC1028F245**



**Part Number**

TR-AC1028R28F245

**Thread**

R28

**MM**

245

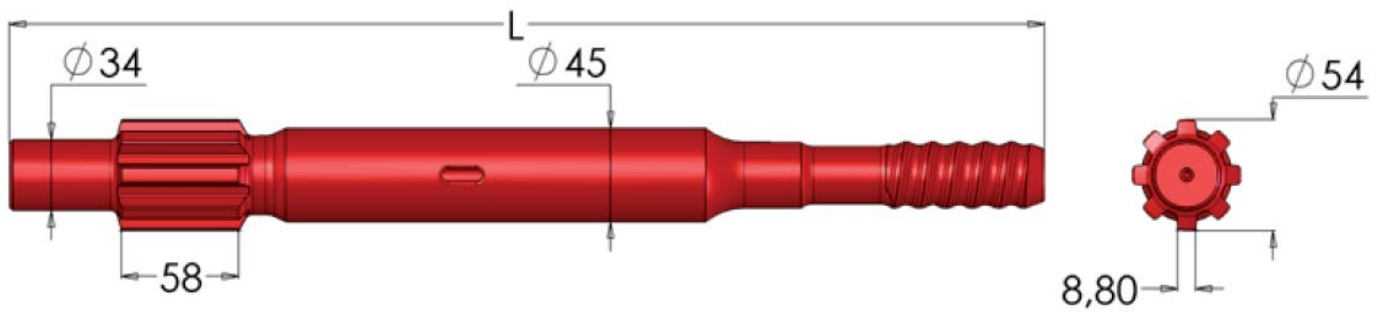
**Diameter**

45.0

**Weight**

1.80

**Shank Adapters - Atlas Copco - AC1032510**



**Part Number**

TR-AC1032R32510

**Thread**

R32

**MM**

510

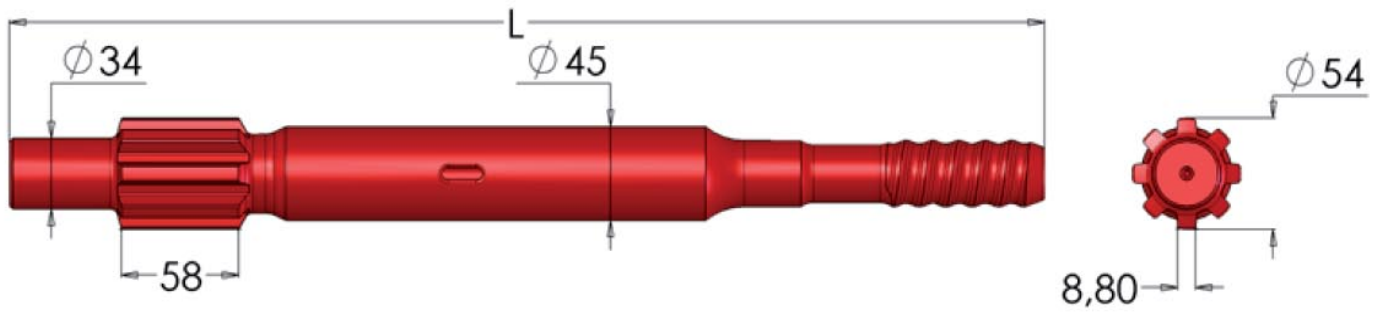
**Diameter**

45.0

**Weight**

4.65

**Shank Adapters - Atlas Copco - AC1032575**



**Part Number**

TR-AC1032R32575  
 TR-AC1032T38575

**Thread**

R32  
 T38

**MM**

575  
 575

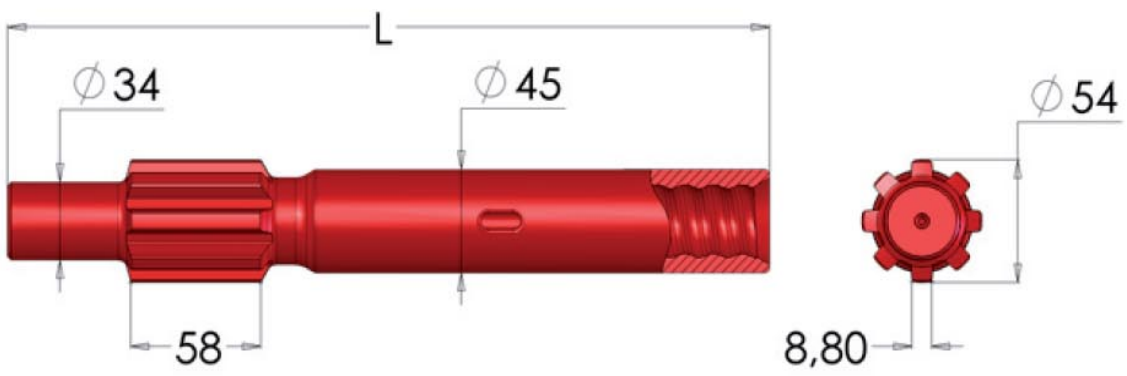
**Diameter**

45.0  
 45.0

**Weight**

4.85  
 5.00

**Shank Adapters - Atlas Copco - AC1032R32F34**



**Part Number**

TR-AC1032R32F340

**Thread**

R32

**MM**

340

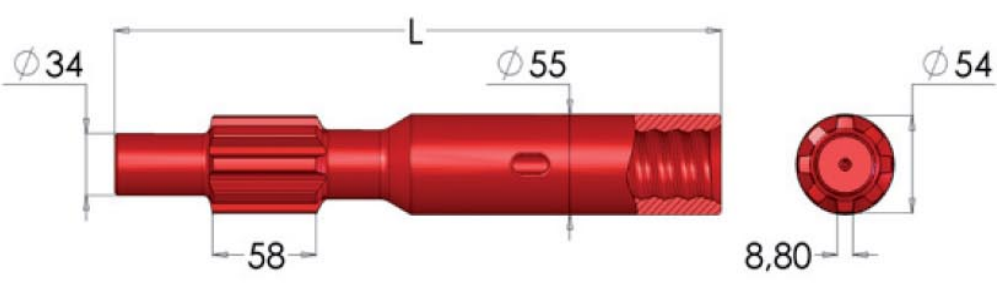
**Diameter**

45.0

**Weight**

3.50

**Shank Adapters - Atlas Copco - AC1032R38F34**



**Part Number**

TR-AC1032R38F340

**Thread**

R38

**MM**

340

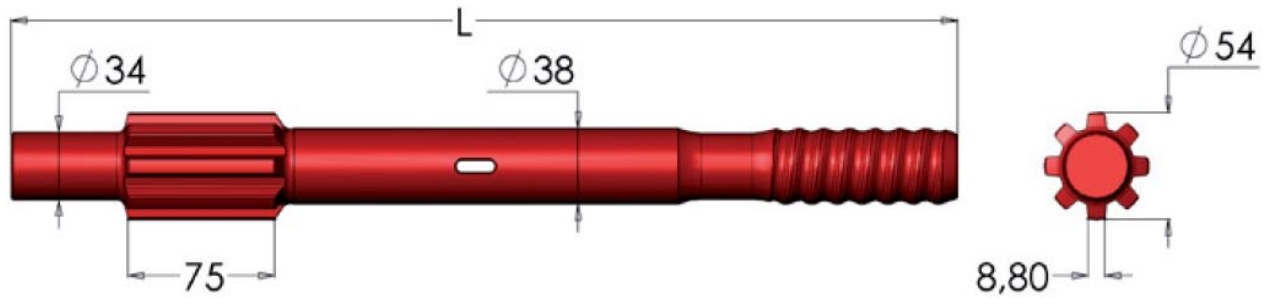
**Diameter**

45.0

**Weight**

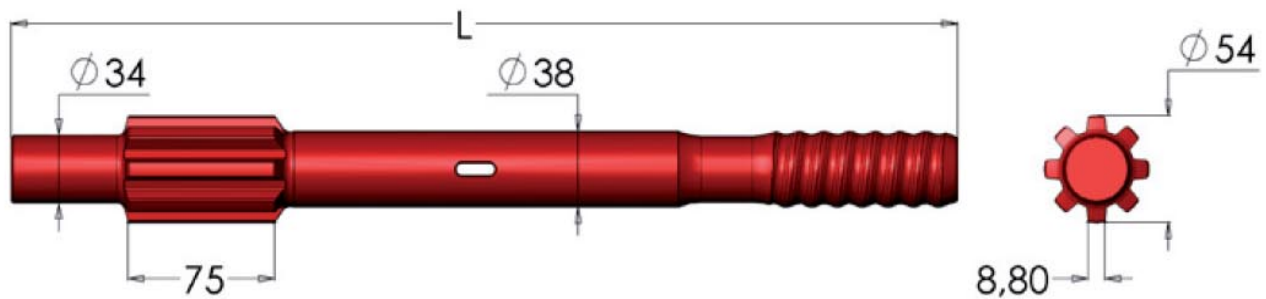
4.40

**Shank Adapters - Atlas Copco - AC1038485**



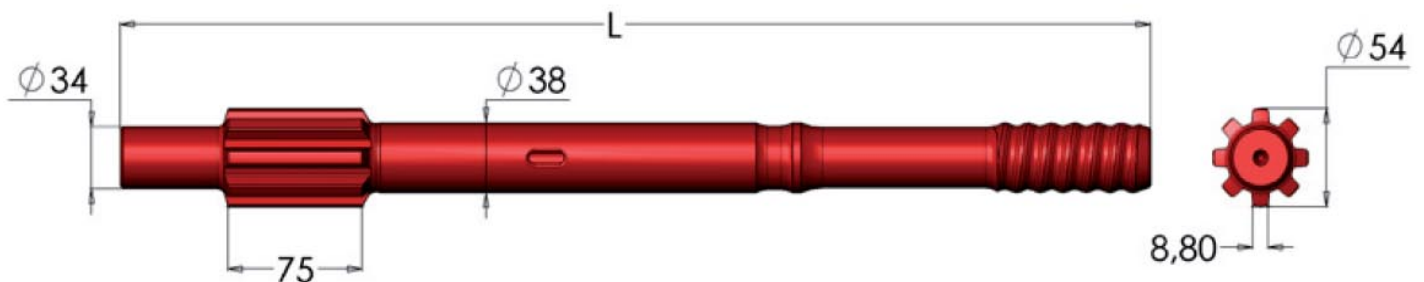
Part Number	Thread	MM	Diameter	Weight
TR-AC1038R32485	R32	485	38.0	3.80
TR-AC1038R38485	R38	485	38.0	4.10
TR-AC1038T38485	T38	485	38.0	4.10

### Shank Adapters - Atlas Copco - AC1038500



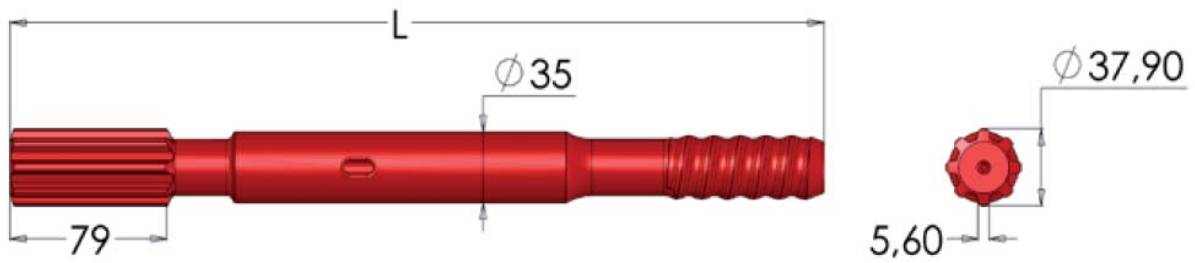
Part Number	Thread	MM	Diameter	Weight
TR-AC1038R32500	R32	500	38.0	3.95
TR-AC1038R38500	R38	500	38.0	4.25
TR-AC1038T38500	T38	500	38.0	4.25

### Shank Adapters - Atlas Copco - AC1038590



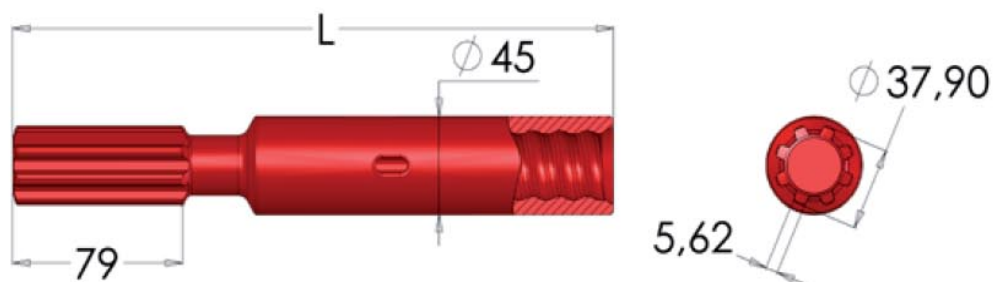
Part Number	Thread	MM	Diameter	Weight
TR-AC1038R32590	R32	590	38.0	4.50
TR-AC1038T38590	T38	590	38.0	4.70

### Shank Adapters - Atlas Copco - AC1132410



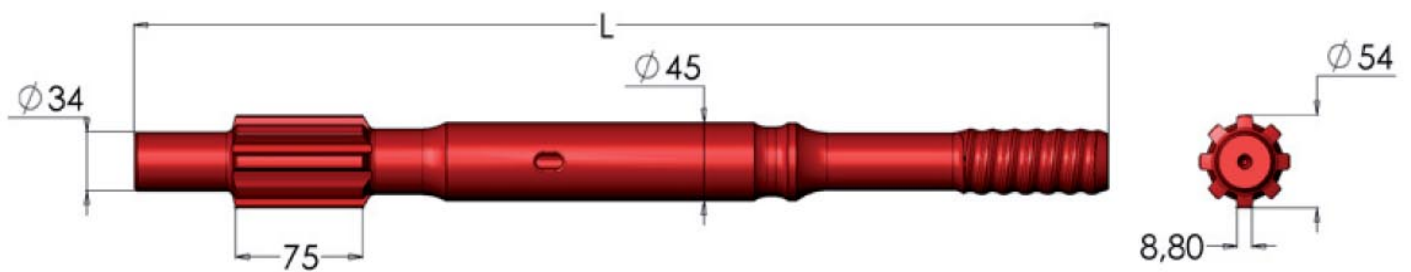
Part Number	Thread	MM	Diameter	Weight
TR-AC1132R32410	R32	410	35.0	2.50

### Shank Adapters - Atlas Copco - AC1132F280



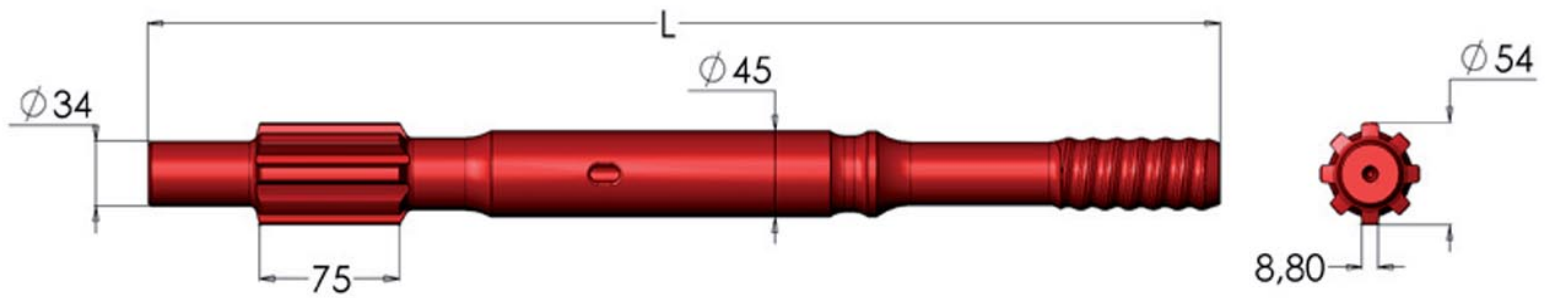
Part Number	Thread	MM	Diameter	Weight
TR-AC1132R32F280	R32	280	45.0	2.30

### Shank Adapters - Atlas Copco - AC1238500



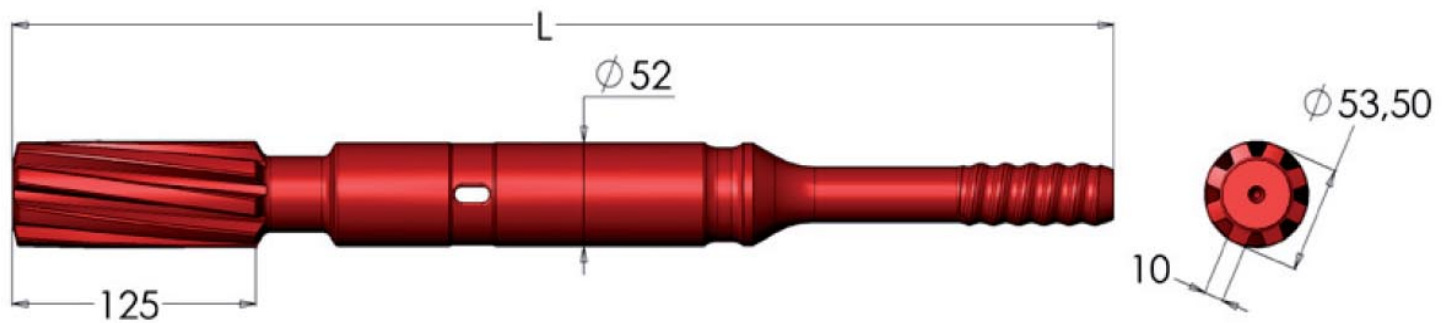
Part Number	Thread	MM	Diameter	Weight
TR-AC1238T45500	T45	500	45.0	5.10

### Shank Adapters - Atlas Copco - AC1238590



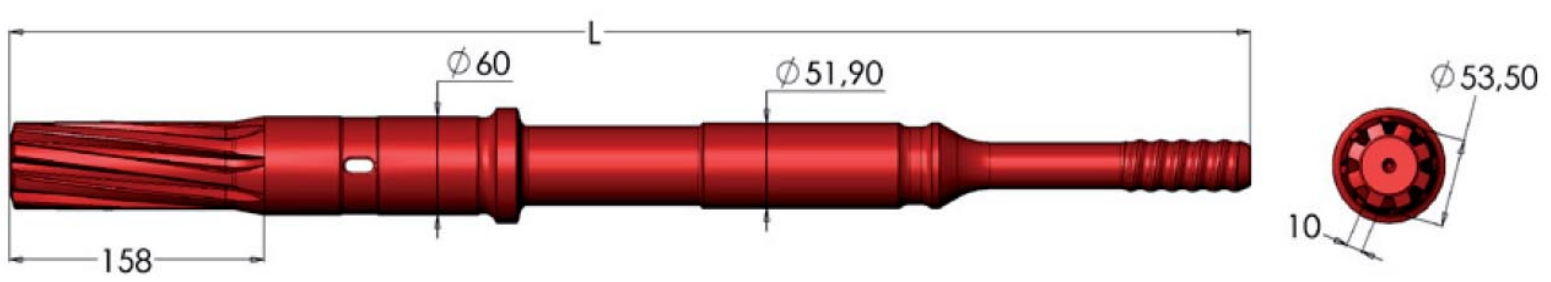
Part Number	Thread	MM	Diameter	Weight
TR-AC1238R32590	R32	590	38.0	5.30
TR-AC1238R38590	R38	590	38.0	5.45
TR-AC1238T38590	T38	590	38.0	5.45
TR-AC1238T45590	T45	590	45.0	5.50

**Shank Adapters - Atlas Copco - AC1240565**



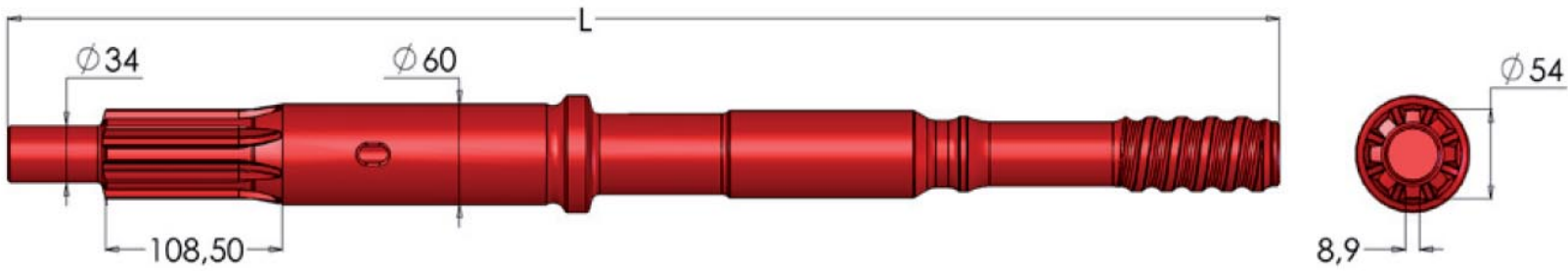
Part Number	Thread	MM	Diameter	Weight
TR-AC1240R32565	R32	565	52.0	6.20
TR-AC1240T38565	T38	565	52.0	6.50

**Shank Adapters - Atlas Copco - AC1240EX770**



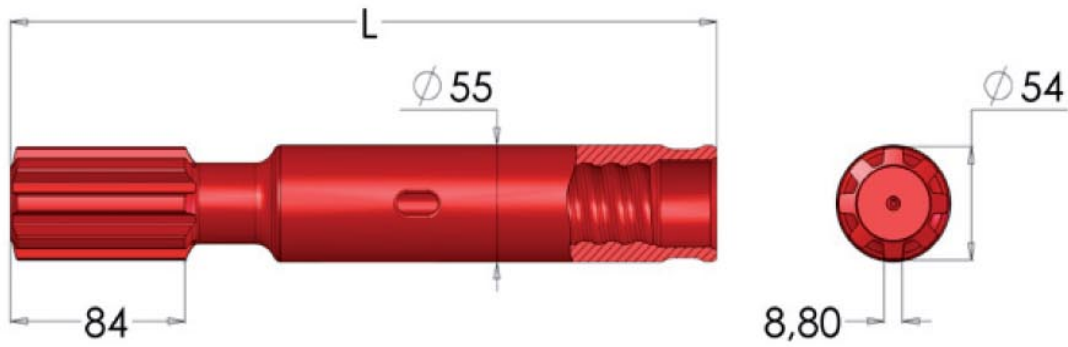
Part Number	Thread	MM	Diameter	Weight
TR-AC1240R32EX770	R32	770	60.0	10.30
TR-AC1240T38EX770	T38	770	60.0	10.70

**Shank Adapters - Atlas Copco - AC1338780**



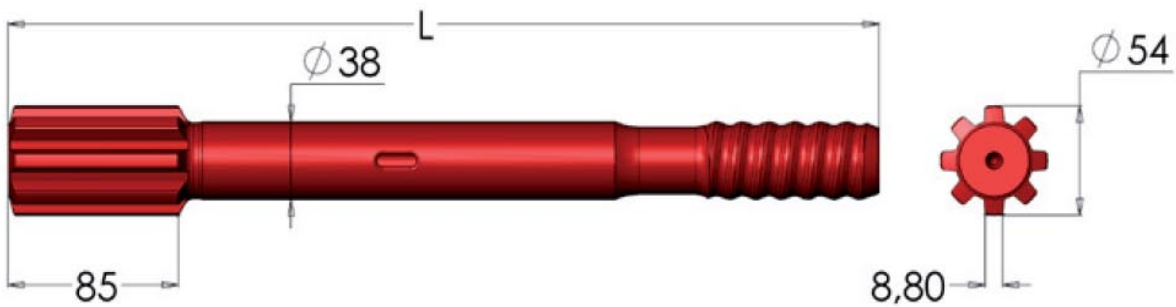
Part Number	Thread	MM	Diameter	Weight
TR-AC1338T38780	T38	780	60.0	10.50
TR-AC1338T45780	T45	780	60.0	10.50

### Shank Adapters - Atlas Copco - AC1432F340



Part Number	Thread	MM	Diameter	Weight
TR-AC1432FR32340	R32	340	55.0	4.35
TR-AC1432FR38340	R38	340	55.0	4.25

### Shank Adapters - Atlas Copco - AC1440445



Part Number	Thread	MM	Diameter	Weight
TR-AC1440R32445	R32	445	38.0	3.80
TR-AC1440R38445	R38	445	38.0	3.95
TR-AC1440T38445	T38	445	38.0	3.95

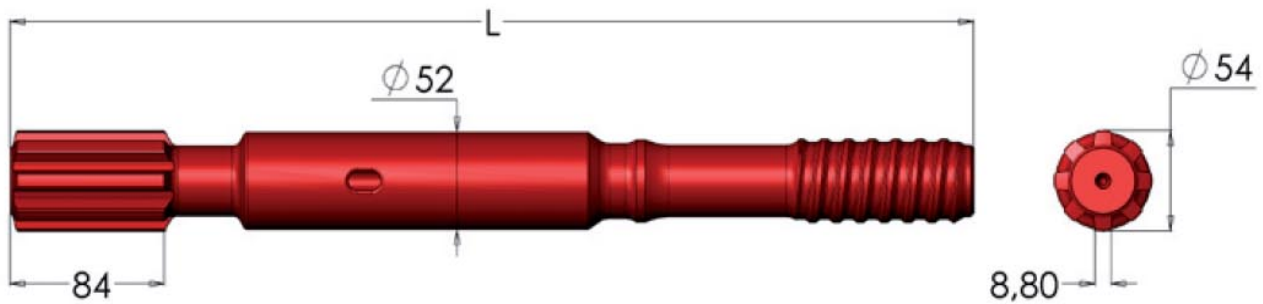
### Shank Adapters - Atlas Copco - AC1440524





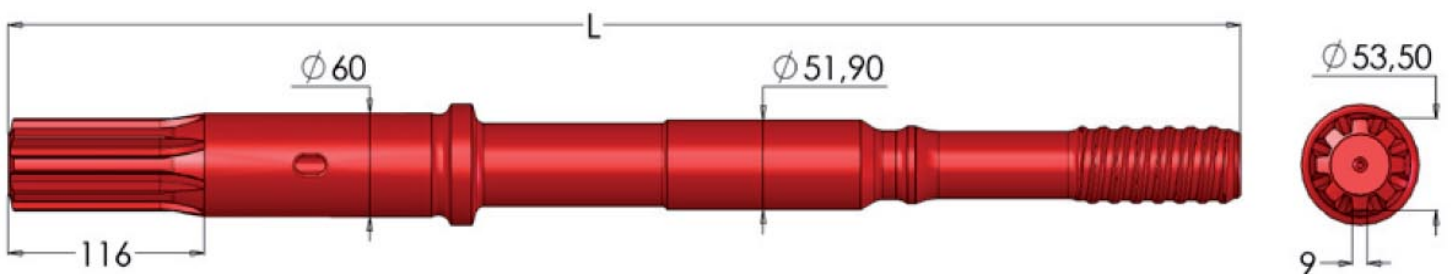
Part Number	Thread	MM	Diameter	Weight
TR-AC1440R32524	R32	524	52.0	4.00
TR-AC1440R38524	R38	524	52.0	4.05
TR-AC1440T38524	T38	524	52.0	4.05

**Shank Adapters - Atlas Copco - AC1550524**



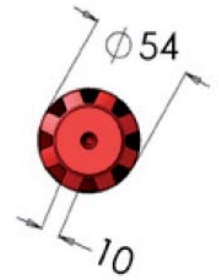
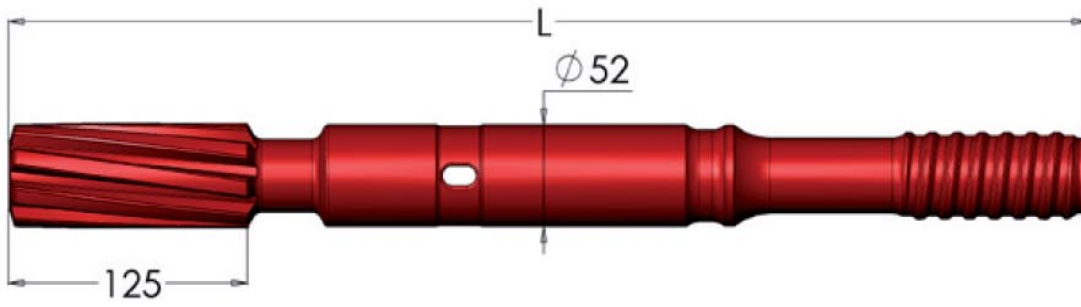
Part Number	Thread	MM	Diameter	Weight
TR-AC1550R32524	R32	525	52.0	5.70
TR-AC1550T38524	T38	525	52.0	6.10
TR-AC1550T45524	T45	525	52.0	6.20
TR-AC1550T51524	T51	525	52.0	6.80

**Shank Adapters - Atlas Copco - AC1838EX730**



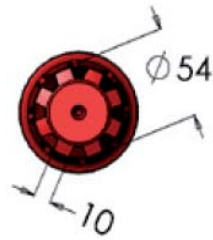
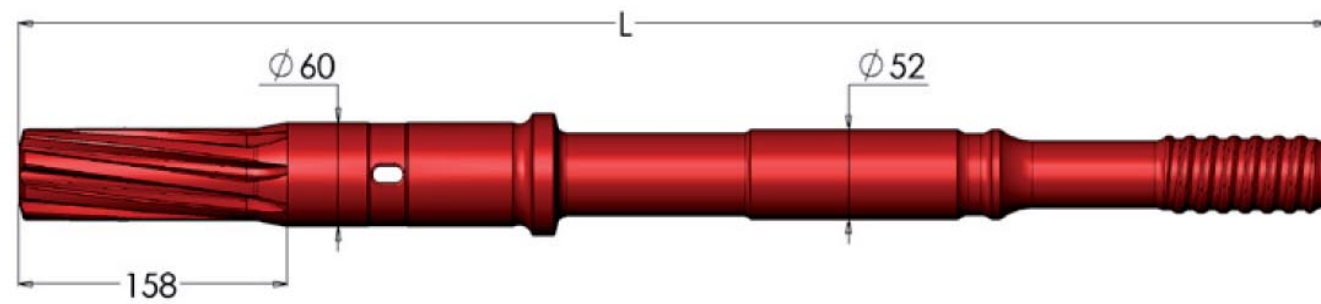
Part Number	Thread	MM	Diameter	Weight
TR-AC1838T38EX730	T38	730	60.0	9.80
TR-AC1838T45EX730	T45	730	60.0	10.20

**Shank Adapters - Atlas Copco - AC1840565**



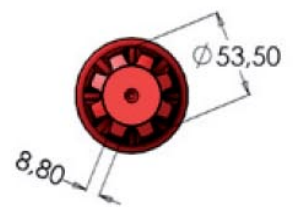
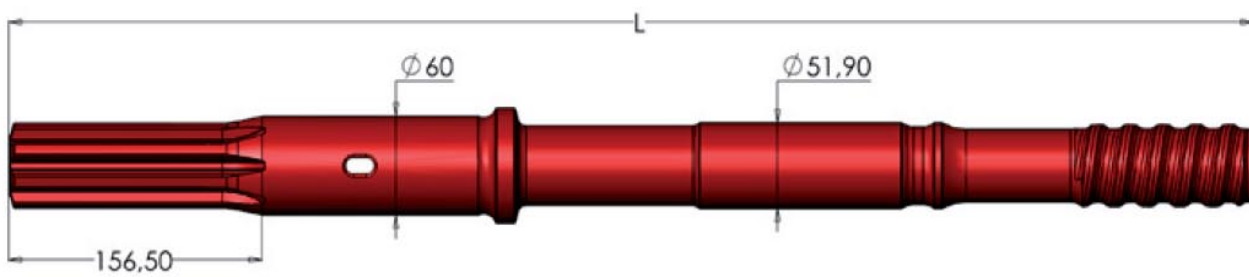
Part Number	Thread	MM	Diameter	Weight
TR-AC1840T45565	T45	565	52.0	6.90
TR-AC1840T51565	T51	565	52.0	7.10

### Shank Adapters - Atlas Copco - AC1840EX770



Part Number	Thread	MM	Diameter	Weight
TR-AC1840T45EX770	T45	770	60.0	10.90
TR-AC1840T51EX770	T51	770	60.0	11.20

### Shank Adapters - Atlas Copco - AC2150EX770



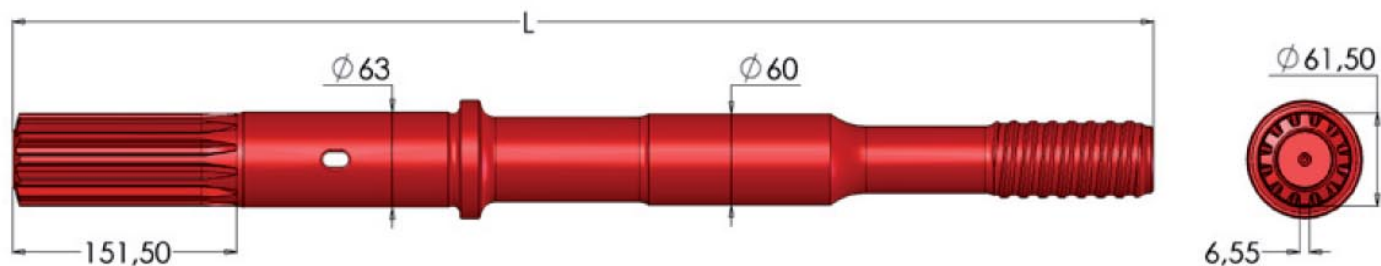
Part Number	Thread	MM	Diameter	Weight
TR-AC2150T51EX770	T51	770	60.0	11.10

### Shank Adapters - Atlas Copco - AC2560770



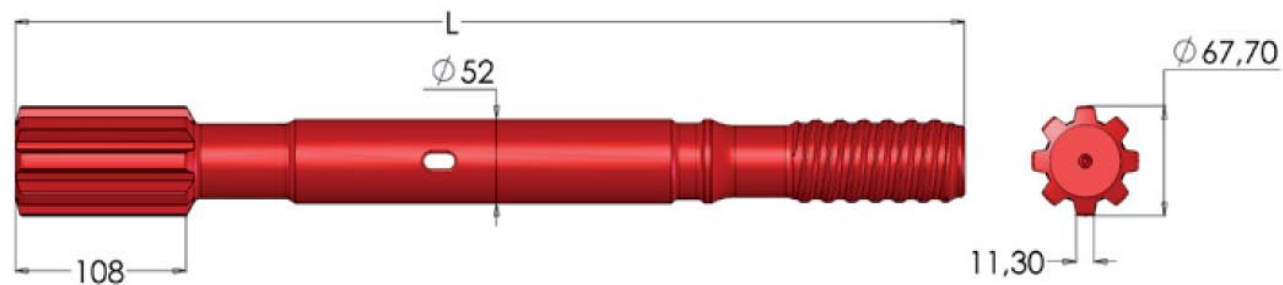
Part Number	Thread	MM	Diameter	Weight
TR-AC2560T45770	T45	770	60.0	11.60
TR-AC2560T51770	T51	770	60.0	11.70

### Shank Adapters - Atlas Copco - AC2560EX770



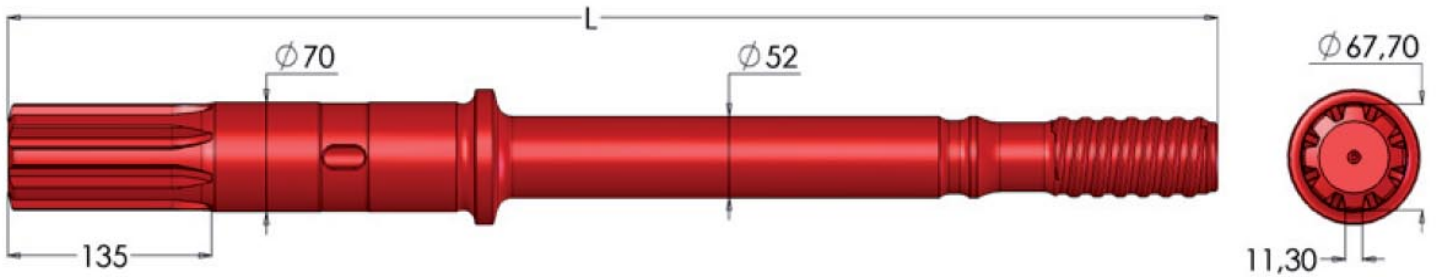
Part Number	Thread	MM	Diameter	Weight
TR-AC2560GT60EX770	GT60	770	63.0	14.40
TR-AC2560T45EX770	T45	770	63.0	13.30
TR-AC2560T51EX770	T51	770	63.0	13.50
TR-AC2560T60EX770	T60	770	63.0	14.20

### Shank Adapters - Atlas Copco - AC4050605



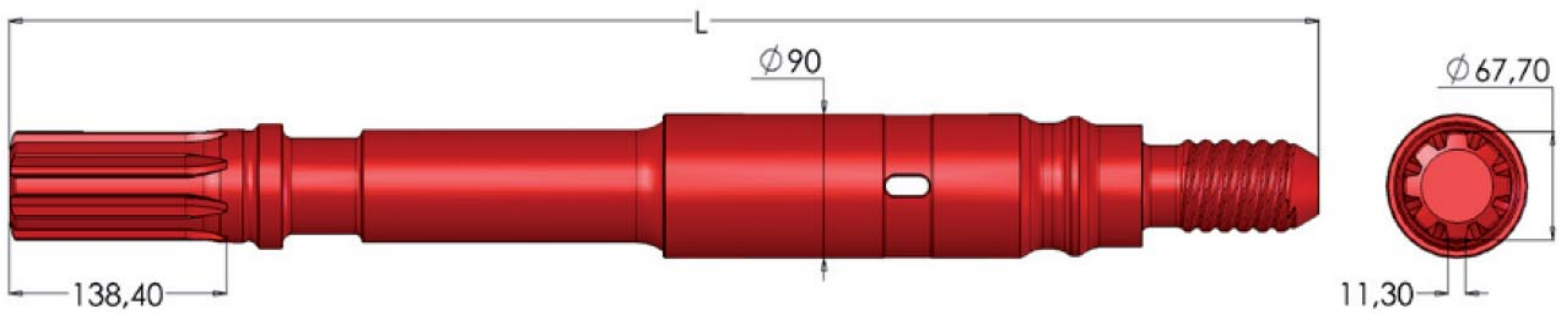
Part Number	Thread	MM	Diameter	Weight
TR-AC4050T51605	T51	605	52.0	10.50

### Shank Adapters - Atlas Copco - AC4050EX790



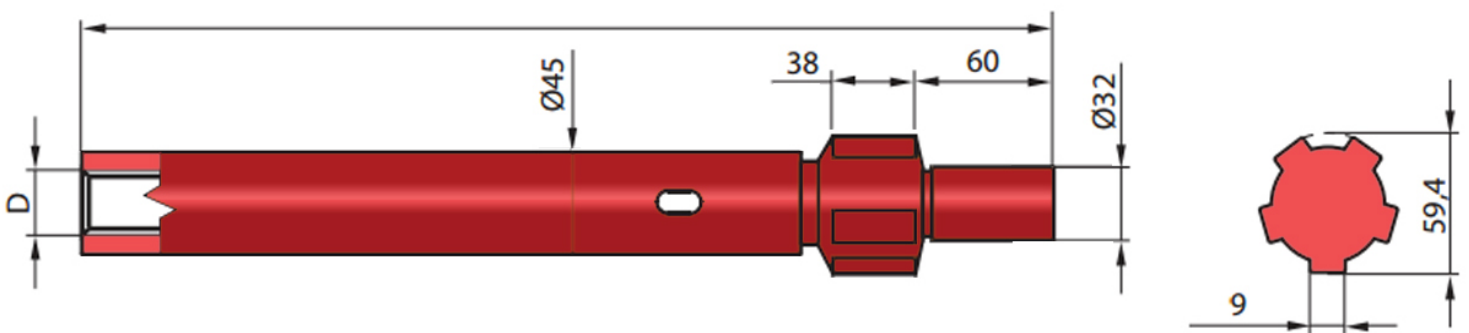
Part Number	Thread	MM	Diameter	Weight
TR-AC4050T51EX790	T51	790	70.0	14.80

**Shank Adapters - Atlas Copco - AC4050MUX835**



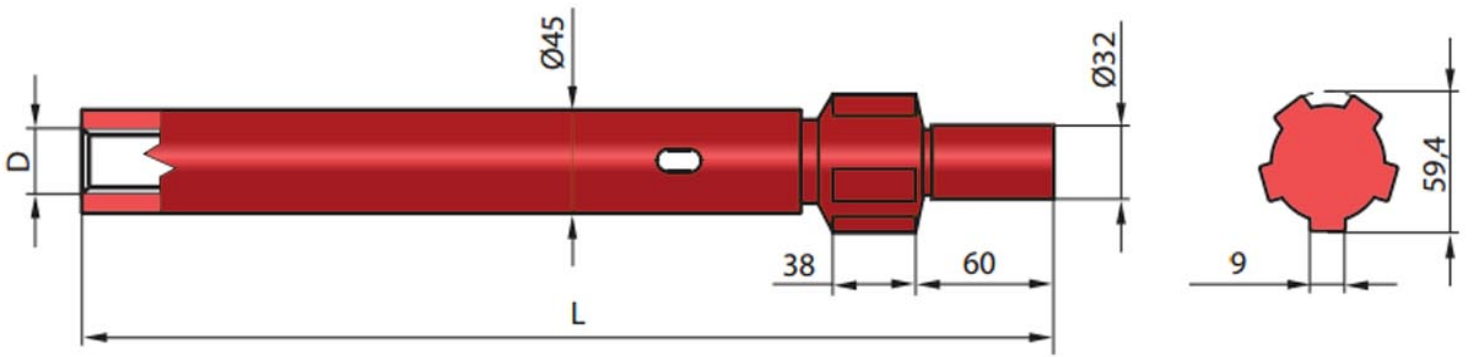
Part Number	Thread	MM	Diameter	Weight
TR-AC4050ST58MUX835	ST58	835	70.0	26.80
TR-AC4050ST68MUX835	ST68	835	70.0	26.90

**Shank Adapters - Boart - HD65F320**



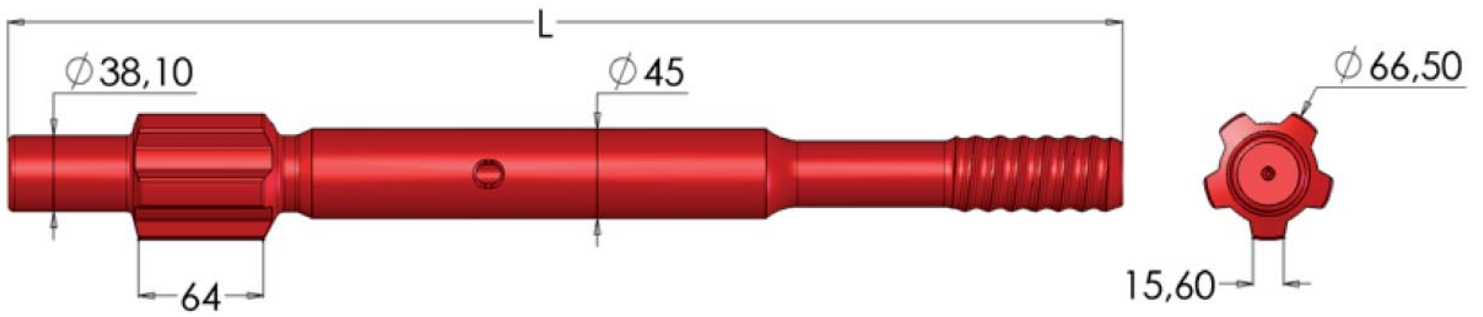
Part Number	Thread	MM	Diameter	Weight
TR-HD65FR32320	R32	320	45.0	3.50

**Shank Adapters - Boart - HD65F480**



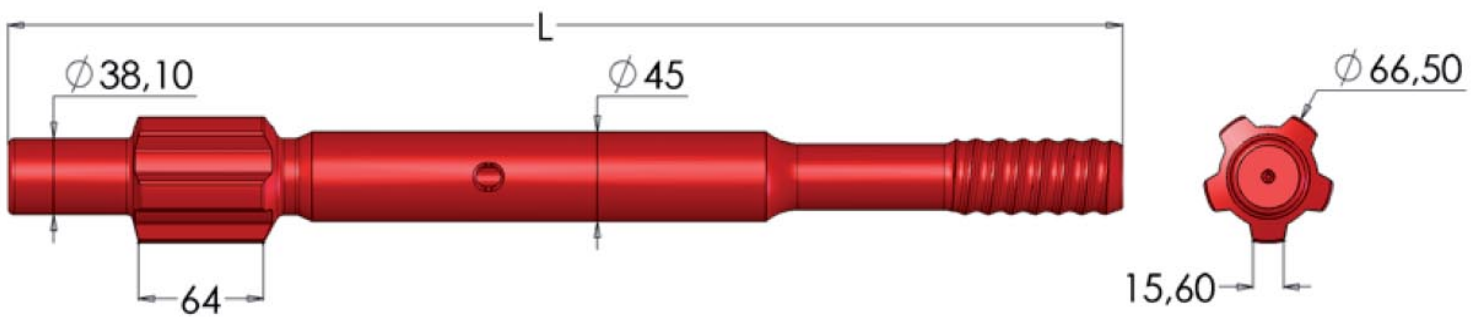
Part Number	Thread	MM	Diameter	Weight
TR-HD65FR32480	R32	480	45.0	3.50

### Shank Adapters - Boart - HD125495



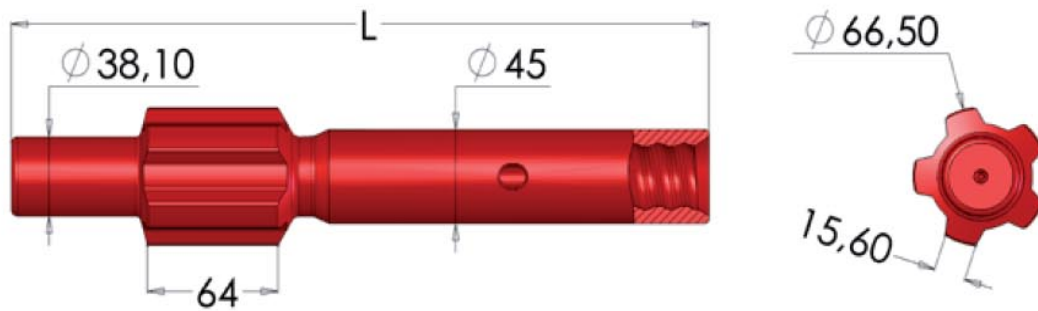
Part Number	Thread	MM	Diameter	Weight
TR-HD125R32495	R32	495	45.0	5.20
TR-HD125R38495	R38	495	45.0	5.50
TR-HD125T38495	T38	495	45.0	5.50

### Shank Adapters - Boart - HD125572



Part Number	Thread	MM	Diameter	Weight
TR-HD125R32572	R32	572	45.0	5.90
TR-HD125R38572	R38	572	45.0	6.20
TR-HD125T38572	T38	572	45.0	6.40

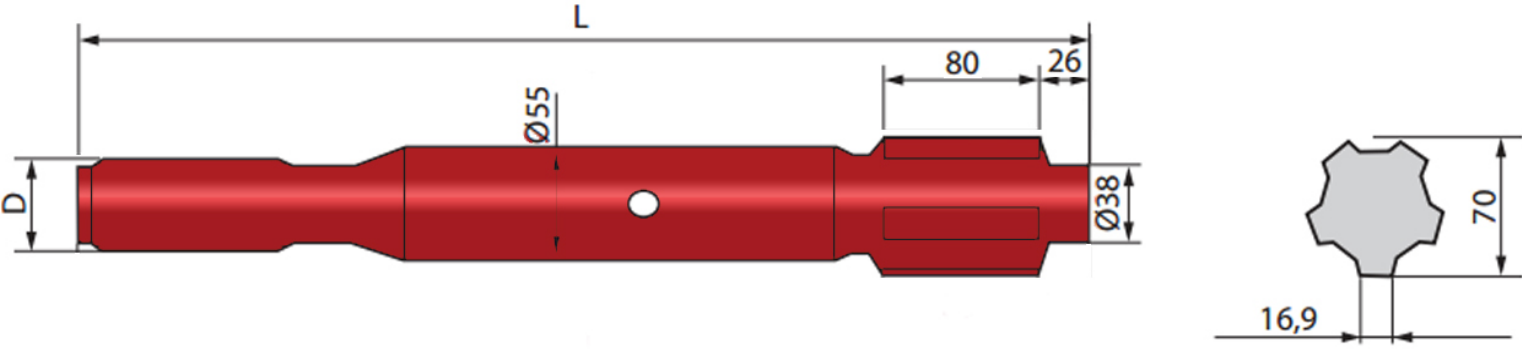
### Shank Adapters - Boart - HD125F428



**Part Number**  
TR-HD125FR32428

Thread	MM	Diameter	Weight
R32	428	45.0	4.00

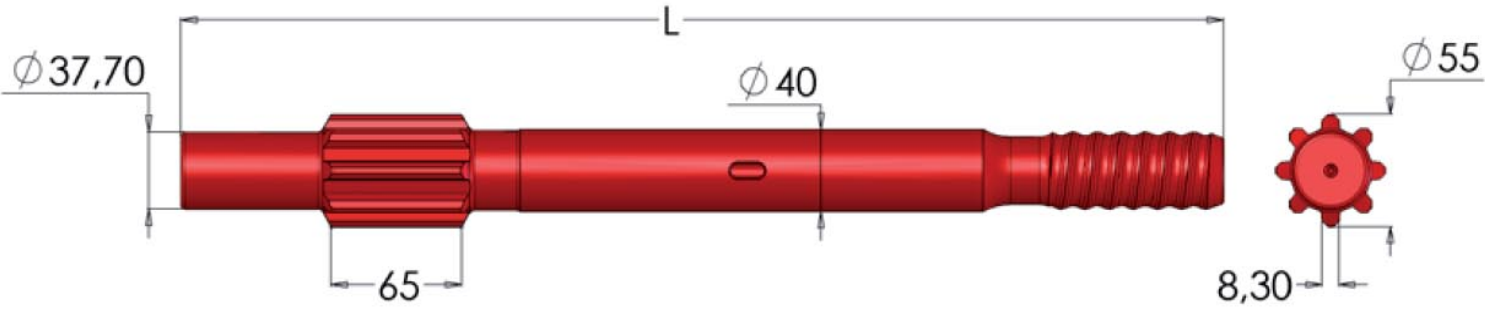
**Shank Adapters - Boart - HD155572**



**Part Number**  
TR-HD155R32572  
TR-HD155T38572

Thread	MM	Diameter	Weight
R32	572	55.0	8.40
T38	572	55.0	9.50

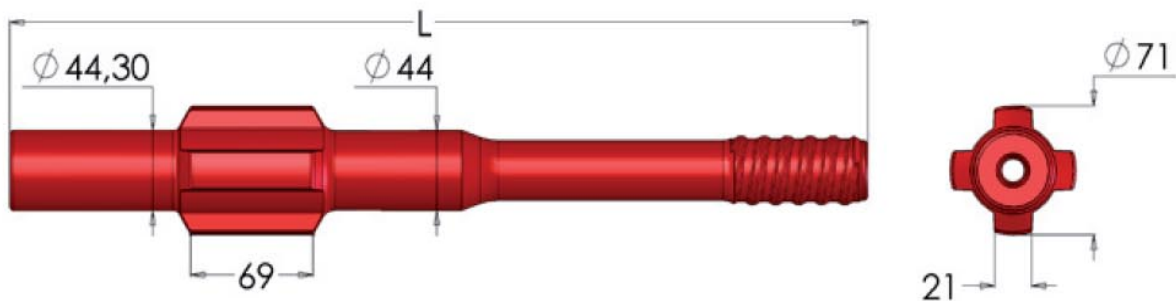
**Shank Adapters - Furukawa - HD150520**



**Part Number**  
TR-HD150R38520

Thread	MM	Diameter	Weight
R38	520	39.8	4.95

**Shank Adapters - Furukawa - PD200485**



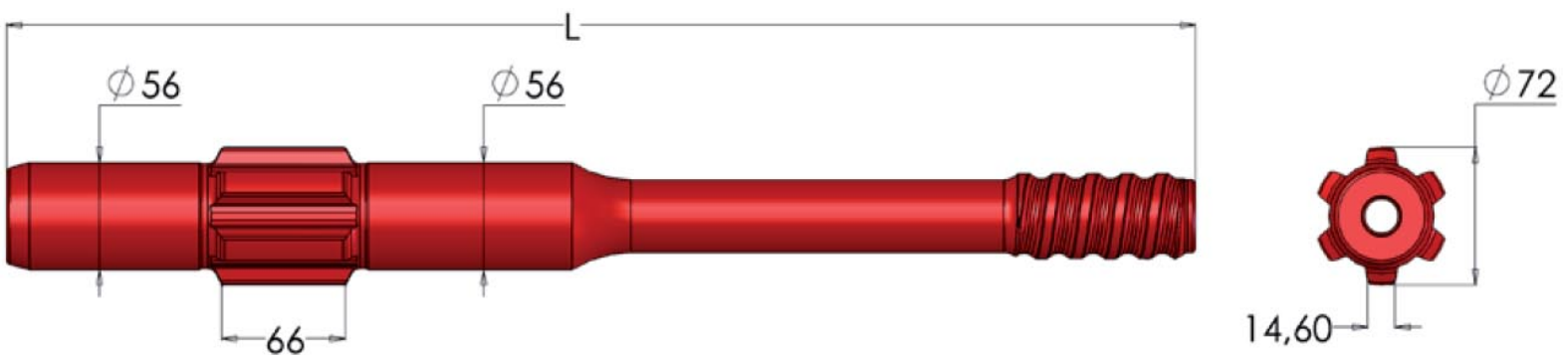
Part Number	Thread	MM	Diameter	Weight
TR-PD200T38485	T38	485	44.0	5.00
TR-PD200T45485	T45	485	44.0	5.20

**Shank Adapters - Furukawa - HD300654**



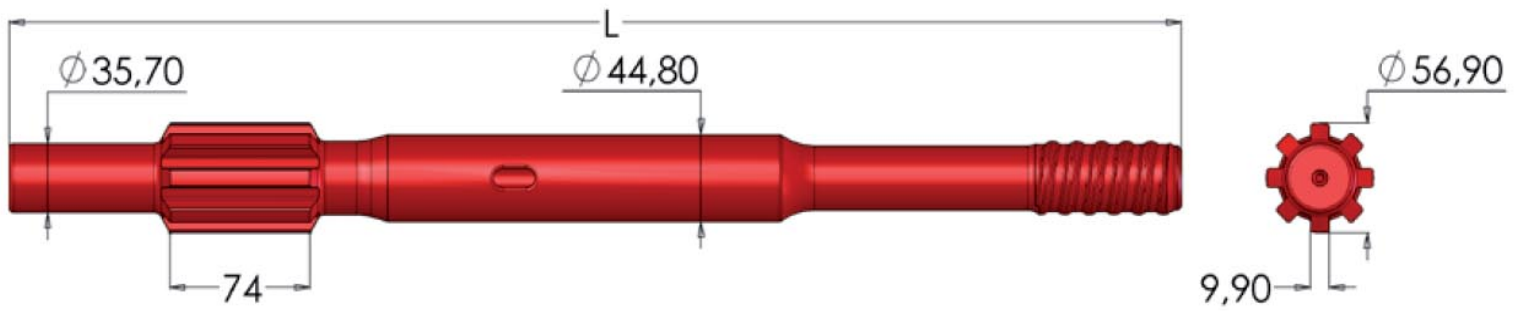
Part Number	Thread	MM	Diameter	Weight
TR-HD300R38654	R38	654	44.7	6.50
TR-HD300T38654	T38	654	44.7	6.50
TR-HD300T45654	T45	654	44.7	6.70

**Shank Adapters - Furukawa - HD560622**



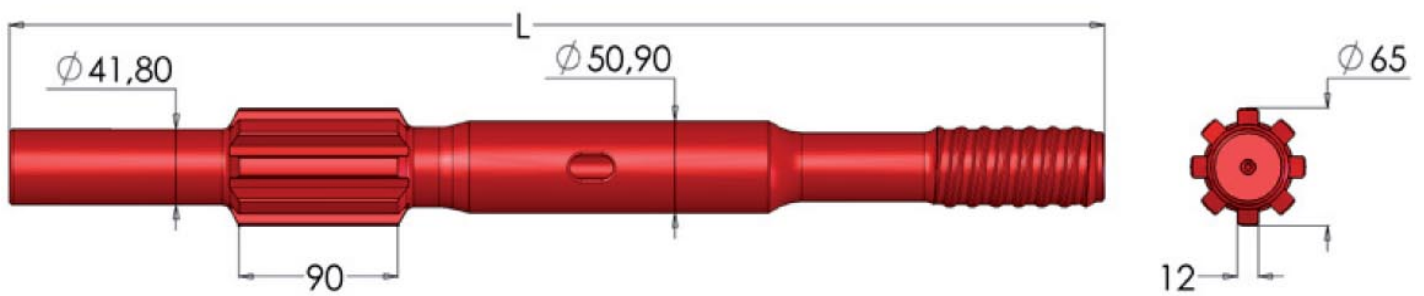
Part Number	Thread	MM	Diameter	Weight
TR-HD500T38622	T38	622	56.0	8.30
TR-HD500T45622	T45	622	56.0	8.30

**Shank Adapters - Furukawa - HD609622**



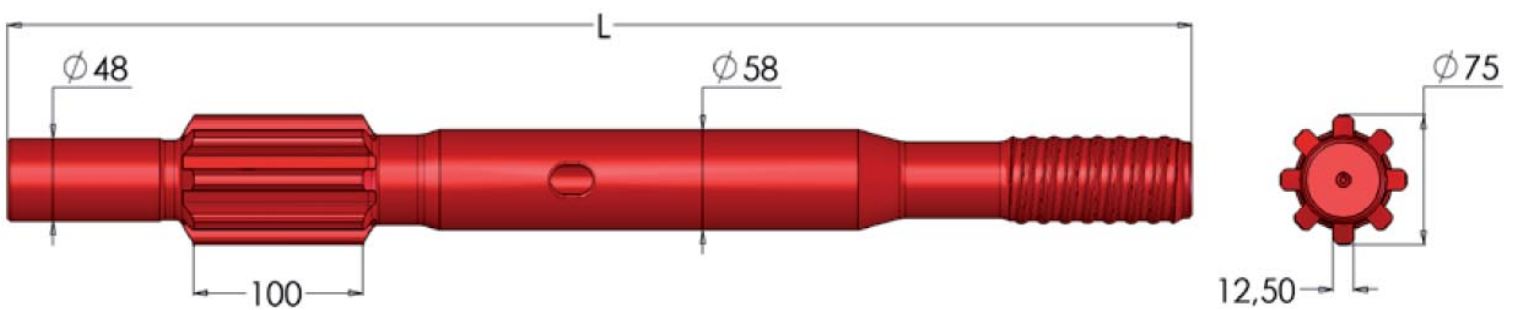
Part Number	Thread	MM	Diameter	Weight
TR-HD609T38622	T38	622	44.7	6.10
TR-HD609T45622	T45	622	44.7	6.25
TR-HD609R38622	R38	622	44.7	6.10

### Shank Adapters - Furukawa - HD612711



Part Number	Thread	MM	Diameter	Weight
TR-HD612T45711	T45	711	50.8	8.55
TR-HD612T45711	T51	711	50.8	8.70

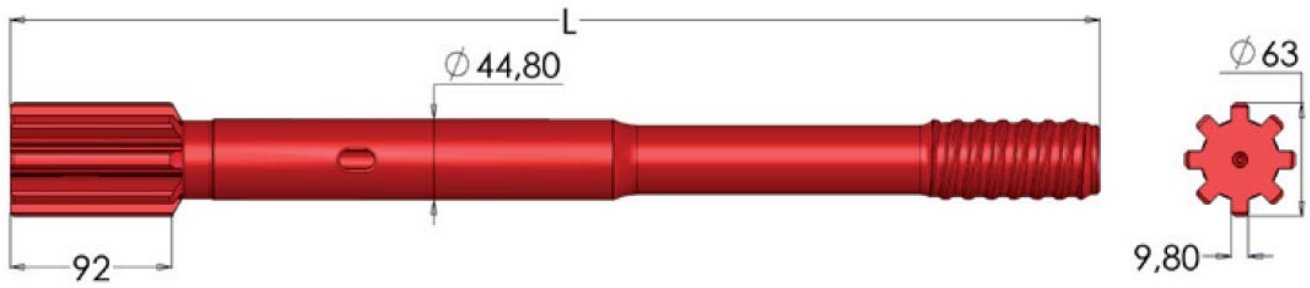
### Shank Adapters - Furukawa - HD615700



Part Number	Thread	MM	Diameter	Weight
TR-HD615T51700	T51	700	57.8	10.80

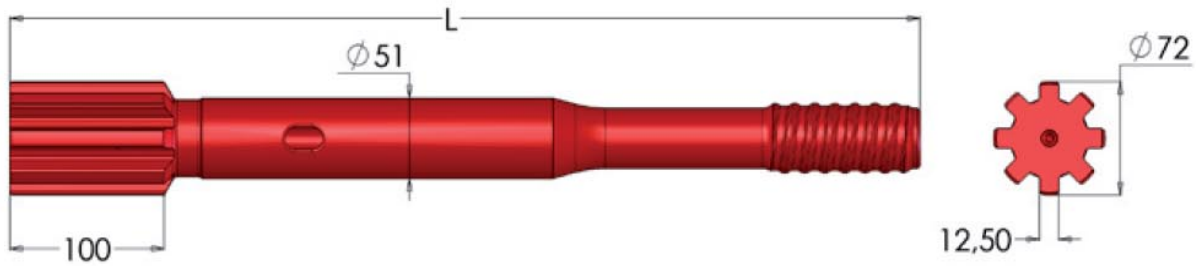
### Shank Adapters - Furukawa - HD709622





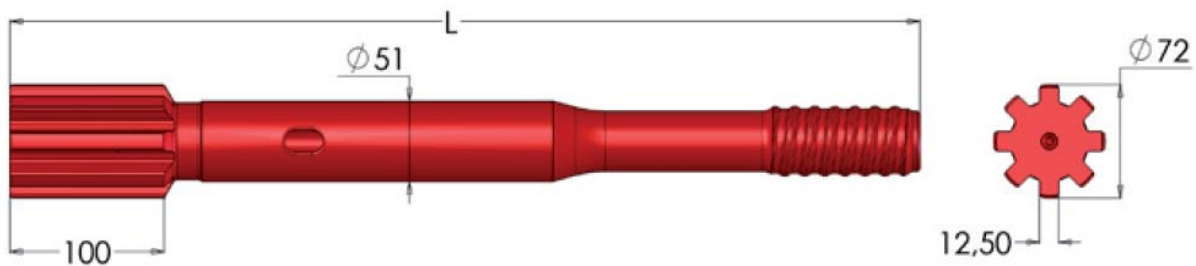
Part Number	Thread	MM	Diameter	Weight
TR-HD709T38622	T38	622	44.8	6.75
TR-HD709T45622	T45	622	44.8	6.80

**Shank Adapters - Furukawa - HD712597**



Part Number	Thread	MM	Diameter	Weight
TR-HD712T45597	T45	597	51.0	8.40
TR-HD712T51597	T51	597	51.0	8.80

**Shank Adapters - Furukawa - HD712794**



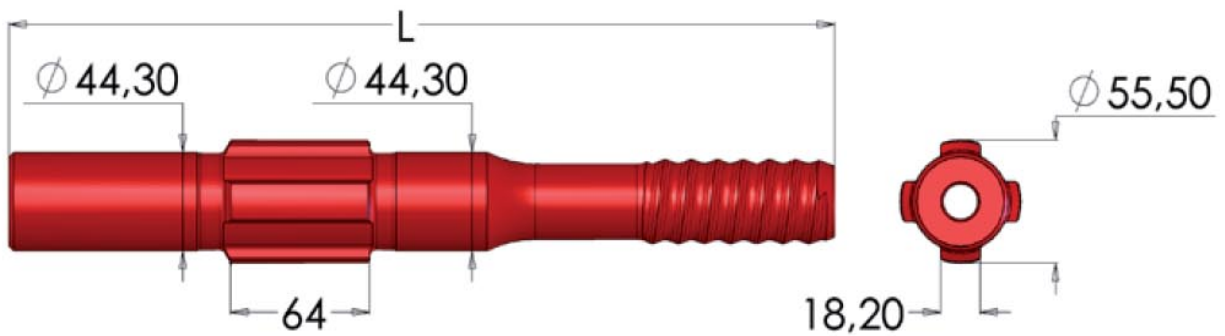
Part Number	Thread	MM	Diameter	Weight
TR-HD712T45794	T45	794	51.0	8.75
TR-HD712T51794	T51	794	51.0	9.90

**Shank Adapters - Furukawa - HD715794**



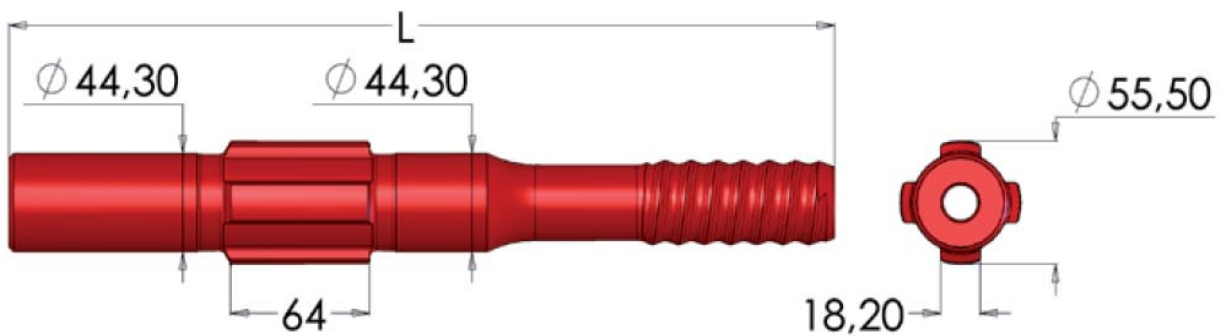
Part Number	Thread	MM	Diameter	Weight
TR-HD715T51794	T51	794	58.0	12.00

### Shank Adapters - Gardner Denver - PR123380



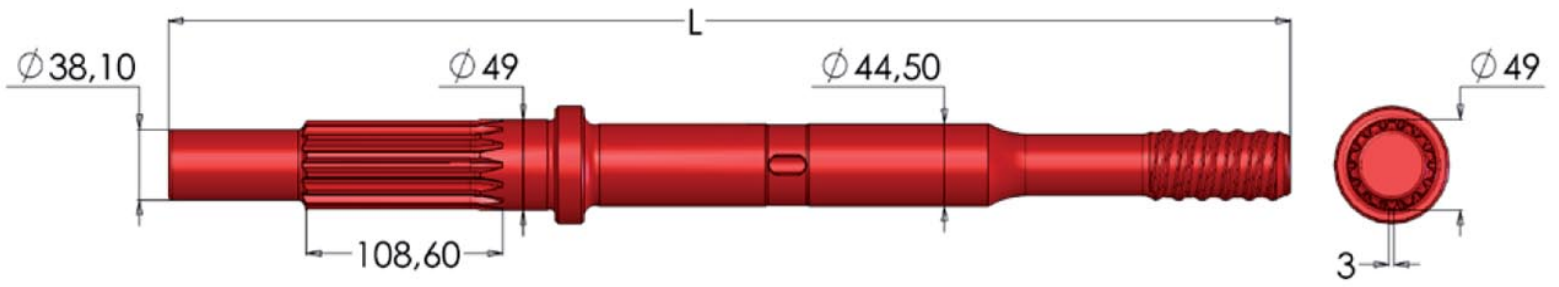
Part Number	Thread	MM	Diameter	Weight
TR-PR123R32380	R32	380	44.3	3.30
TR-PR123R38380	R38	380	44.3	3.80
TR-PR123T38380	T38	380	44.3	3.80
TR-PR123T45380	T45	380	44.3	3.90

### Shank Adapters - Gardner Denver - PR123445



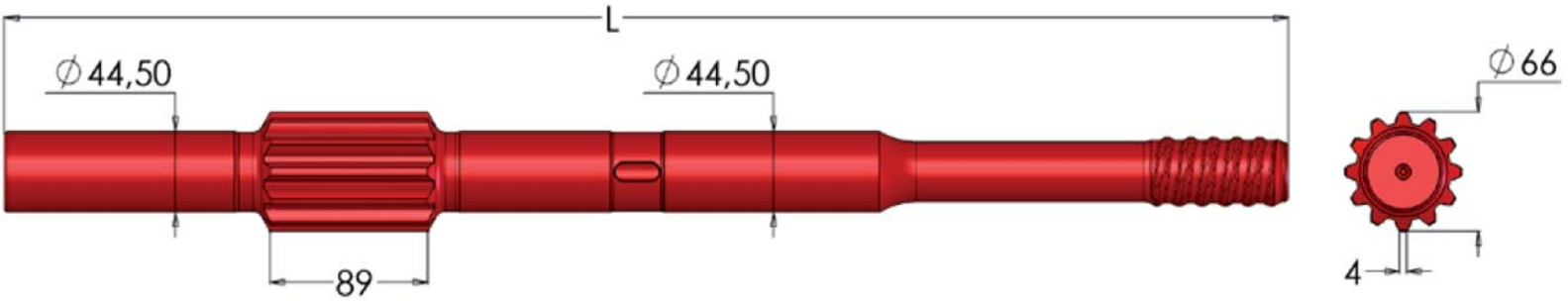
Part Number	Thread	MM	Diameter	Weight
TR-PR123R32445	R32	445	44.3	3.80
TR-PR123R38445	R38	445	44.3	3.80
TR-PR123T38445	T38	445	44.3	3.80
TR-PR123T45445	T45	445	44.3	4.20

### Shank Adapters - Gardner Denver - HPR1610



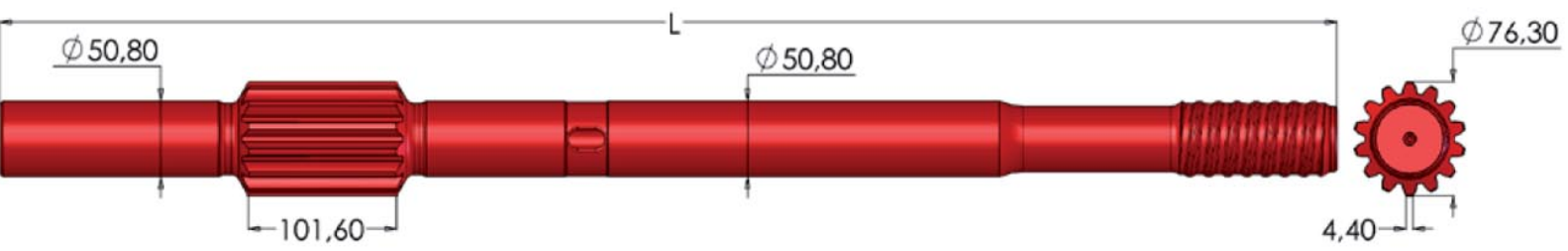
Part Number	Thread	MM	Diameter	Weight
TR-HPR1T38610	T38	610	44.4	6.50
TR-HPR1T45610	T45	610	44.4	6.70

**Shank Adapters - Gardner Denver - HPR1H750**



Part Number	Thread	MM	Diameter	Weight
TR-HPR1HR38750	R38	750	44.4	7.90
TR-HPR1HT38750	T38	750	44.4	7.90
TR-HPR1HT45750	T45	750	44.4	8.20

**Shank Adapters - Gardner Denver - HPR2H914**



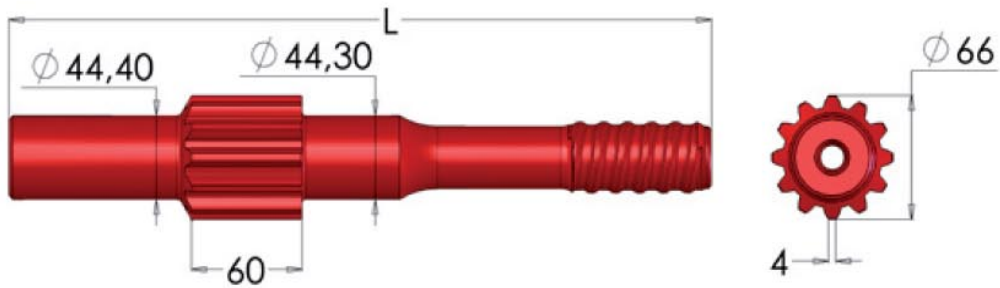
Part Number	Thread	MM	Diameter	Weight
TR-HPR2HT45914	T45	914	50.7	13.50
TR-HPR2HT51914	T51	914	50.7	13.80

**Shank Adapters - Ingersoll Rand - YD90330**



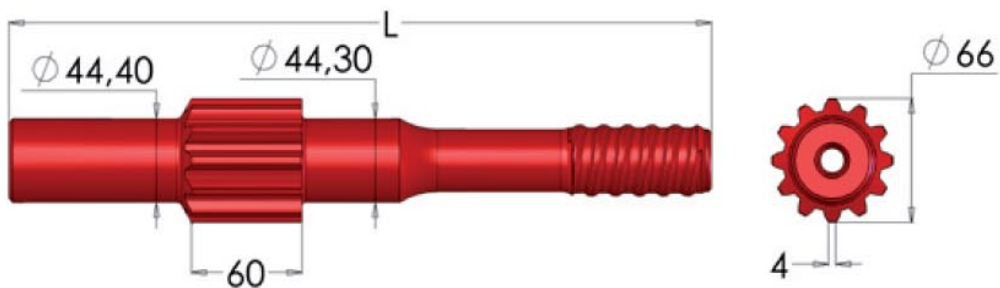
Part Number	Thread	MM	Diameter	Weight
TR-YD90R32330	R32	330	3.8	2.40
TR-YD90R38330	R38	330	3.8	2.70

### Shank Adapters - Ingersoll Rand - ELV130356



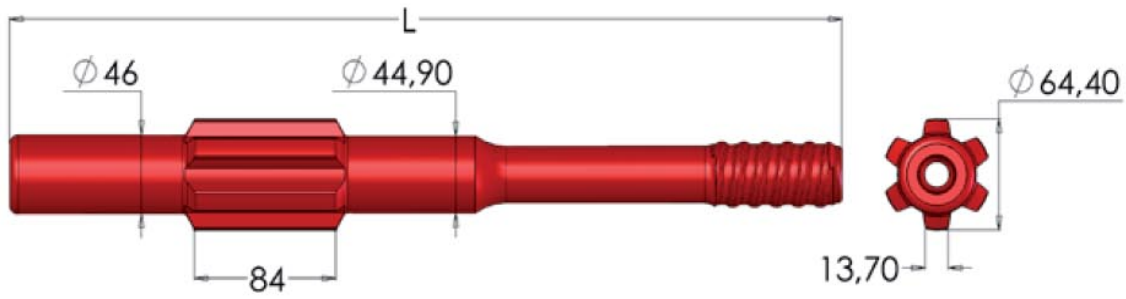
Part Number	Thread	MM	Diameter	Weight
TR-ELV130T38356	T38	356	44.2	3.80
TR-ELV130T45356	T45	356	44.2	4.00

### Shank Adapters - Ingersoll Rand - ELV130380



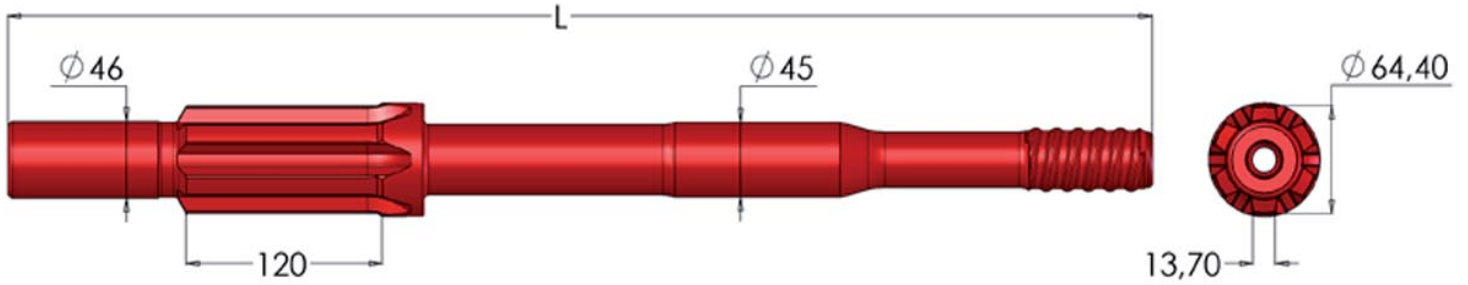
Part Number	Thread	MM	Diameter	Weight
TR-ELV130T38380	T38	380	44.2	4.30
TR-ELV130T45380	T45	380	44.2	4.50

### Shank Adapters - Ingersoll Rand - YH65495



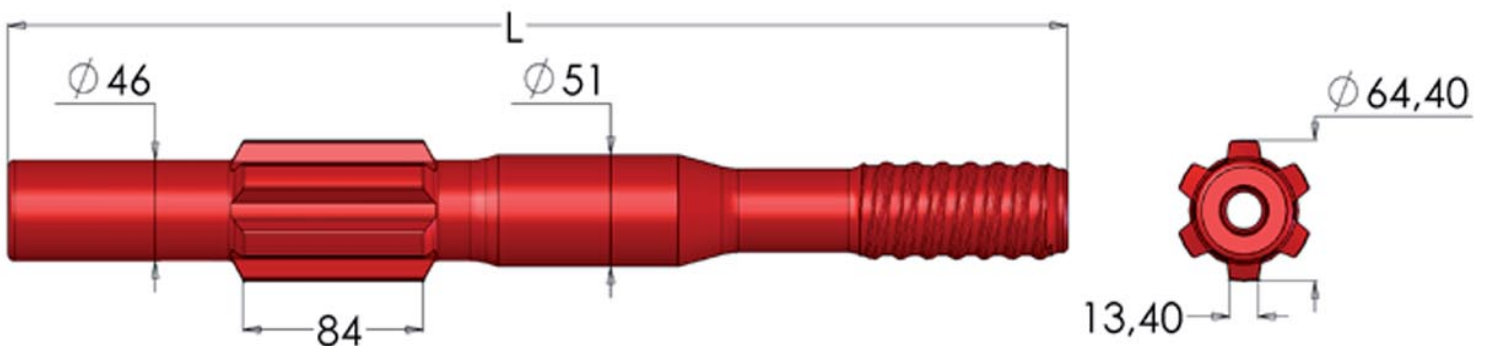
Part Number	Thread	MM	Diameter	Weight
TR-YH65T38495	T38	495	45.0	5.00
TR-YH65T45495	T45	495	45.0	5.40

### Shank Adapters - Ingersoll Rand - YH65700



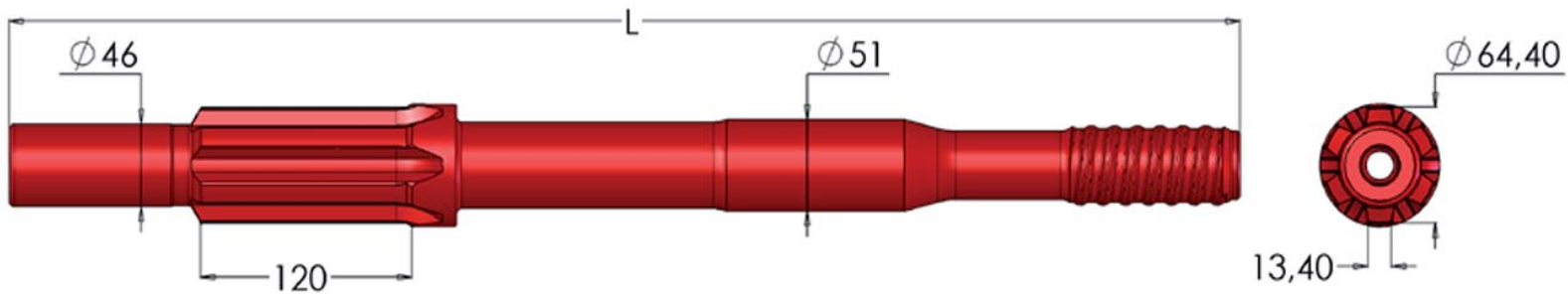
Part Number	Thread	MM	Diameter	Weight
TR-YH65T38700	T38	700	45.0	7.70
TR-YH65T45700	T45	700	45.0	7.90

### Shank Adapters - Ingersoll Rand - YH80A495



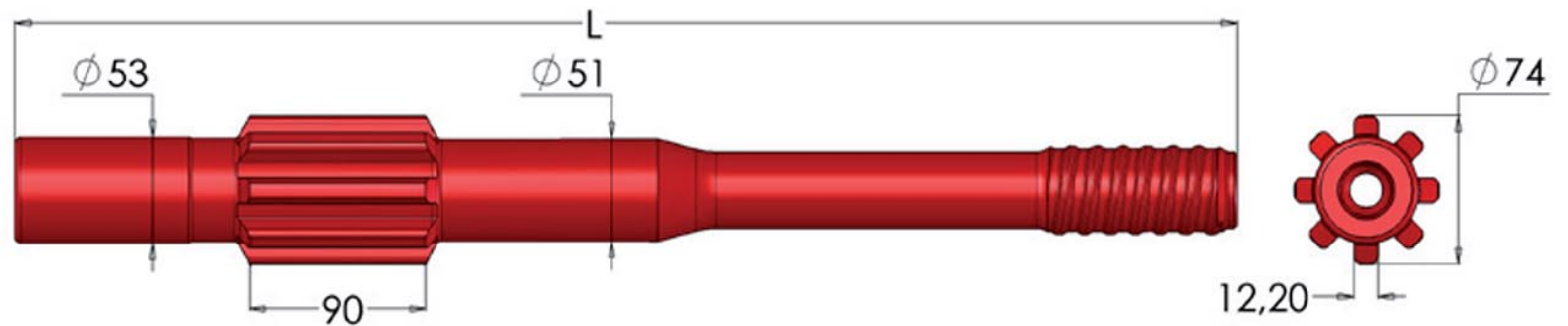
Part Number	Thread	MM	Diameter	Weight
TR-YH80AT45495	T45	495	51.0	6.10
TR-YH80AT51495	T51	495	51.0	6.40

### Shank Adapters - Ingersoll Rand - YH80ARP700



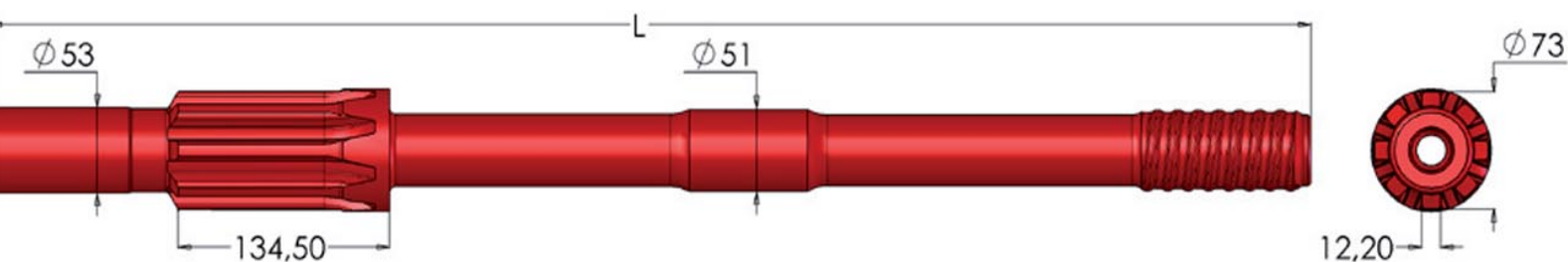
Part Number	Thread	MM	Diameter	Weight
TR-YH80ARPT38700	T38	700	51.0	8.70
TR-YH80ARPT45700	T45	700	51.0	8.90
TR-YH80ARPT51700	T51	700	51.0	9.10

### Shank Adapters - Ingersoll Rand - YH95622



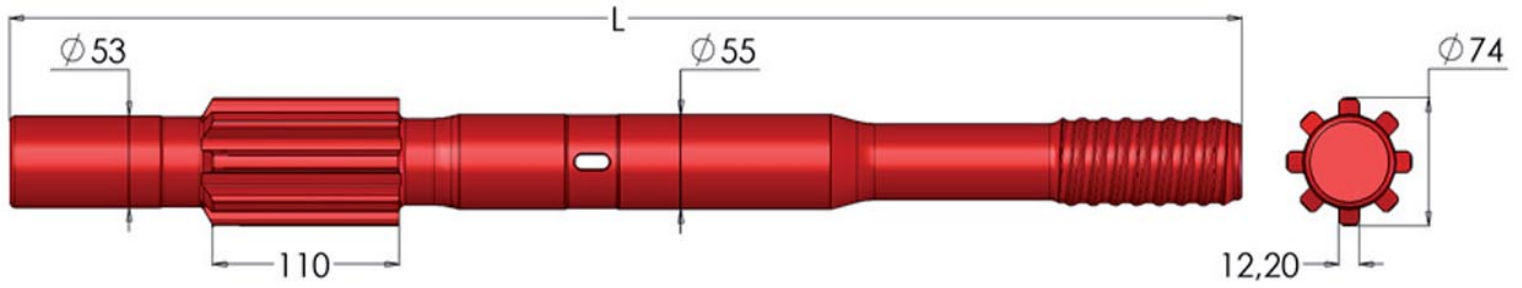
Part Number	Thread	MM	Diameter	Weight
TR-YH95T45622	T45	622	51.0	7.40
TR-YH95T51622	T51	622	51.0	8.30

### Shank Adapters - Ingersoll Rand - YH95RP840



Part Number	Thread	MM	Diameter	Weight
TR-YH95RPT45840	T45	840	51.0	10.50
TR-YH95RPT51840	T51	840	51.0	10.90

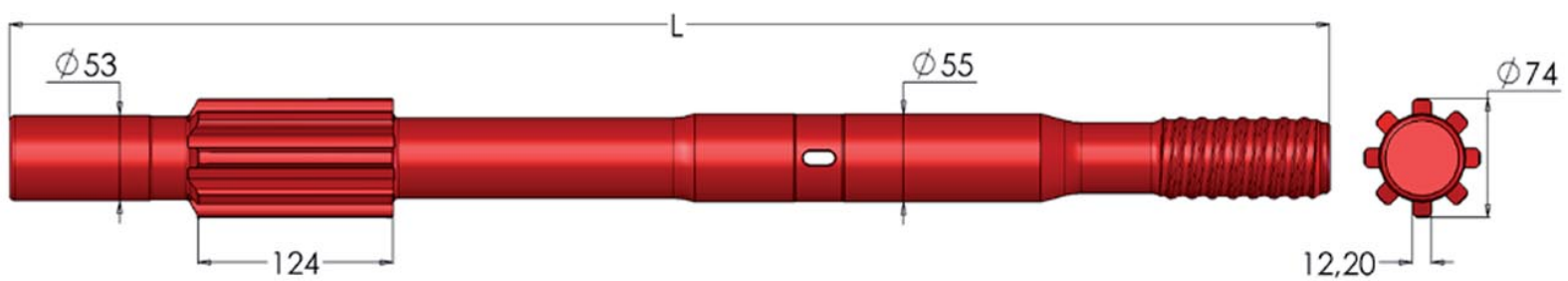
### Shank Adapters - Ingersoll Rand - YH110724



**Part Number**  
TR-YH110T51724

Thread	MM	Diameter	Weight
T51	724	55.0	11.60

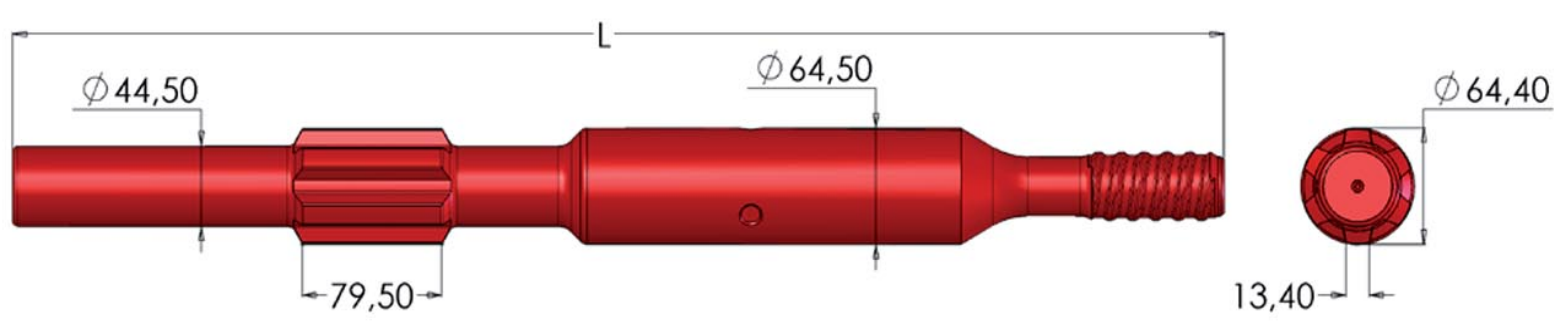
**Shank Adapters - Ingersoll Rand - YH135RP900**



**Part Number**  
TR-YH135RPT51900

Thread	MM	Diameter	Weight
T51	900	55.0	13.80

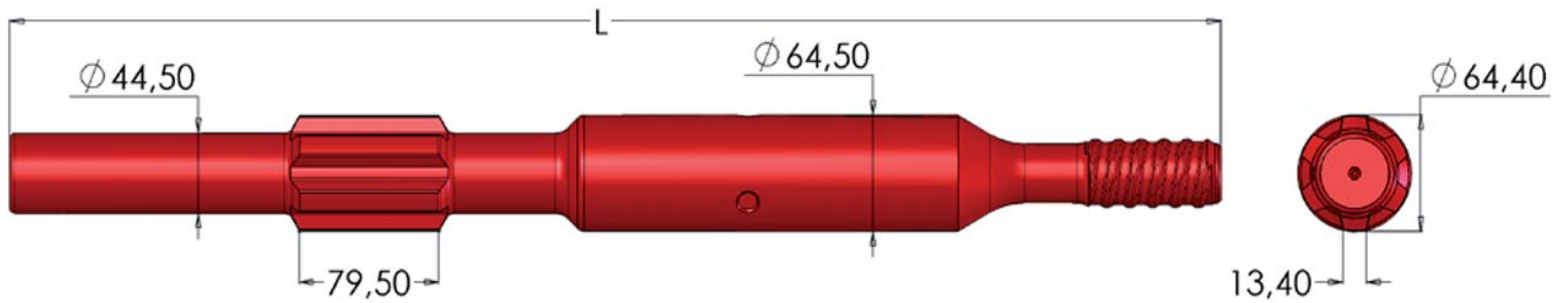
**Shank Adapters - Krupp/ John Henry - HB101699**



**Part Number**  
TR-HB101T38699  
TR-HB101T45699

Thread	MM	Diameter	Weight
T38	699	64.4	11.00
T45	699	64.4	11.20

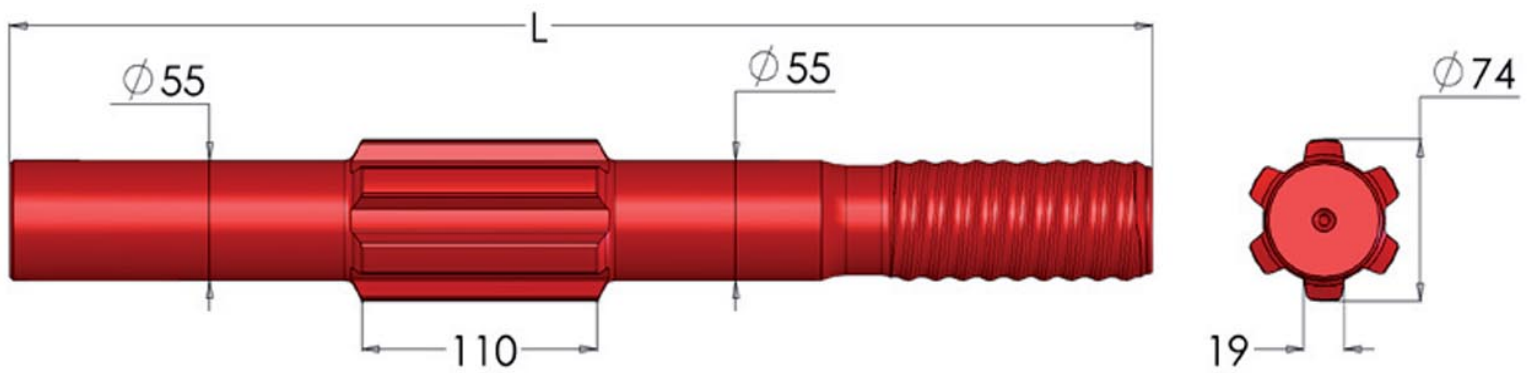
**Shank Adapters - Krupp/ John Henry - HB101700**



**Part Number**  
TR-HB101T51699

Thread	MM	Diameter	Weight
T51	799	64.4	11.70

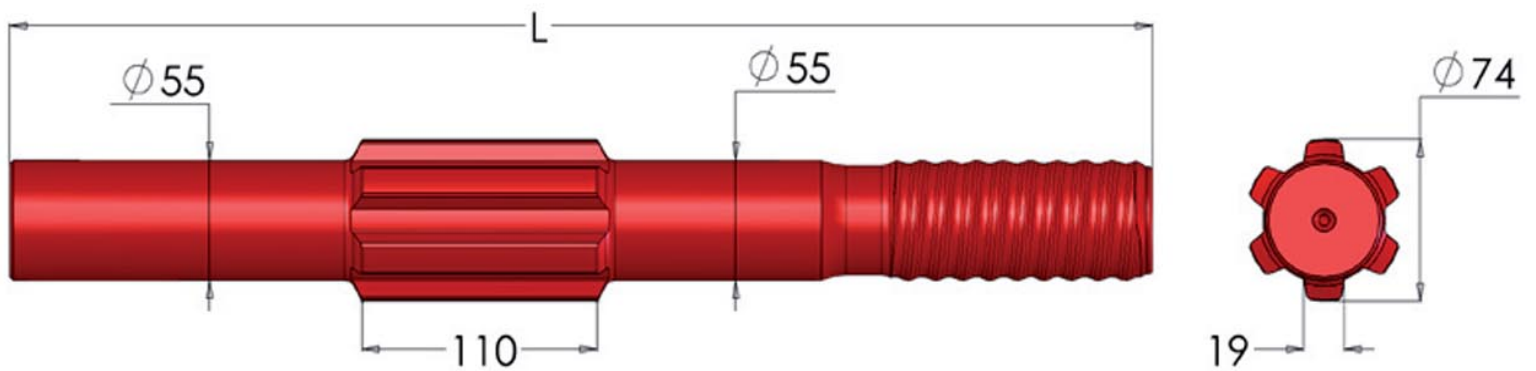
**Shank Adapters - Krupp/ John Henry - HB25G535**



**Part Number**  
TR-HB25GR51535  
TR-HB25GR55535

Thread	MM	Diameter	Weight
R51	535	55.0	10.70
R55	535	55.0	10.70

**Shank Adapters - Krupp/ John Henry - HB25G699**

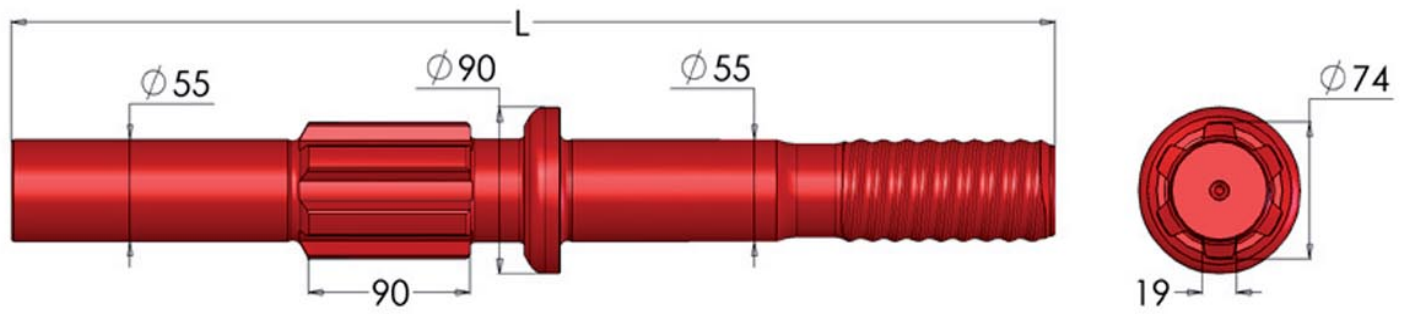


**Part Number**  
TR-HB25GT45699

Thread	MM	Diameter	Weight
T45	699	55.0	10.70

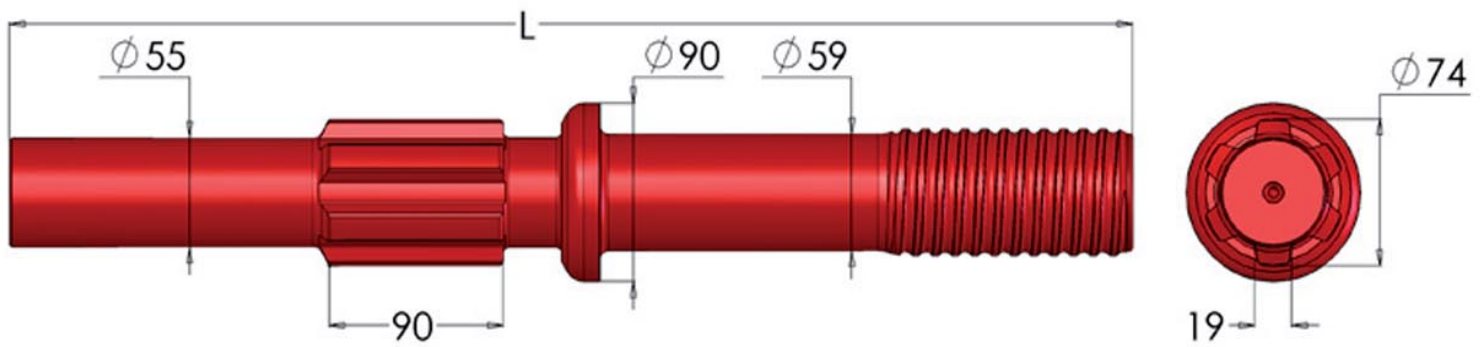
**Shank Adapters - Krupp/ John Henry - HB30A580**





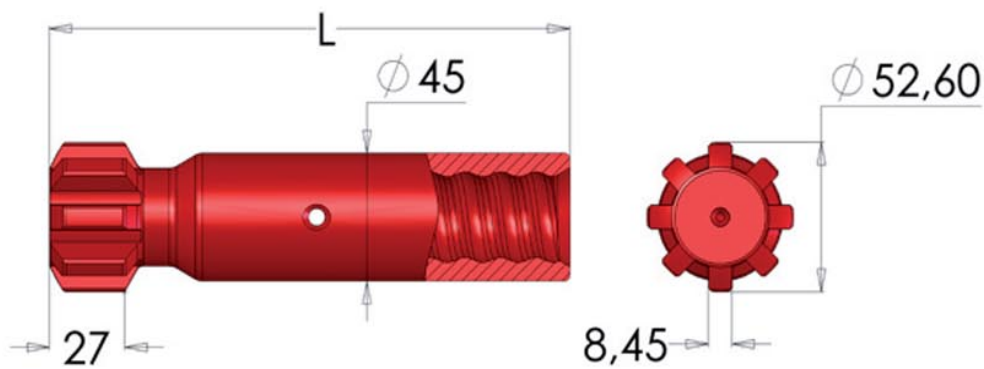
Part Number	Thread	MM	Diameter	Weight
TR-HB30AR51580	R51	580	55.0	12.00
TR-HB30AR55580	R55	580	55.0	12.00

**Shank Adapters - Krupp/ John Henry - HB40AC64580**



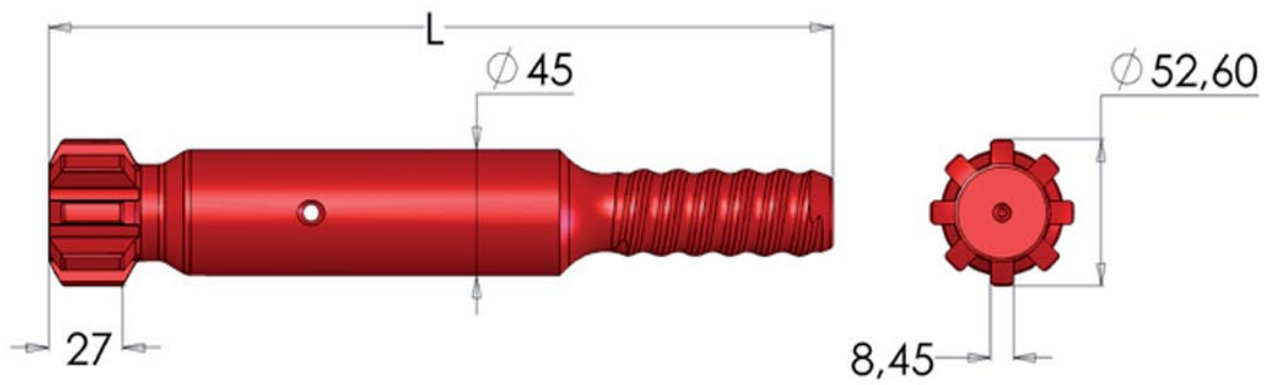
Part Number	Thread	MM	Diameter	Weight
TR-HB40AC64580	C64	580	59.0	13.30

**Shank Adapters - Montabert - HC20F188**



Part Number	Thread	MM	Diameter	Weight
TR-HC20R32F188	R32	188	45.0	1.78

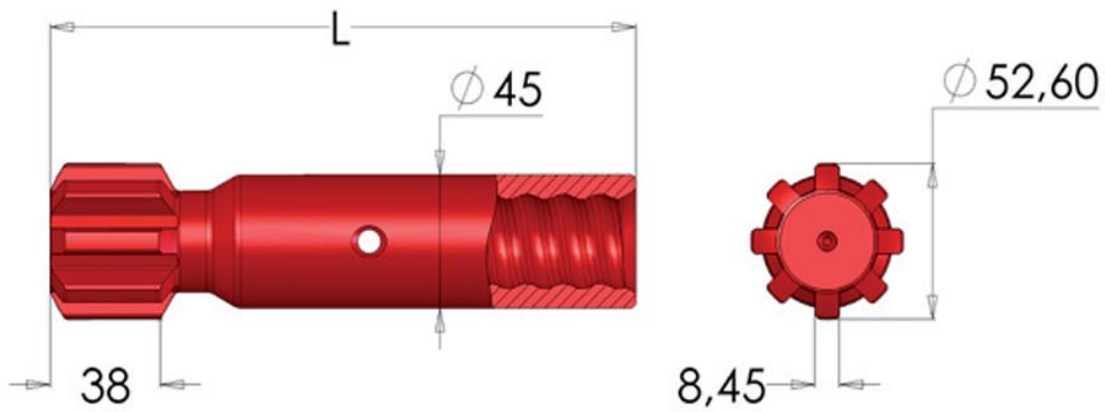
**Shank Adapters - Montabert - HC20287**



**Part Number**  
TR-HC20R32287

Thread	MM	Diameter	Weight
R32	287	45.0	2.72

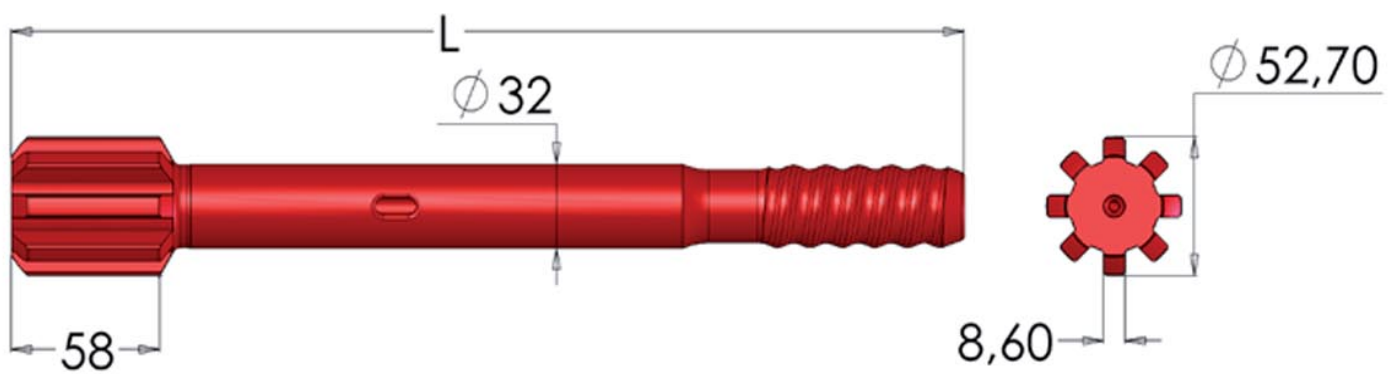
### Shank Adapters - Montabert - HC25F202



**Part Number**  
TR-HC25R32F202

Thread	MM	Diameter	Weight
R32	202	45.0	1.96

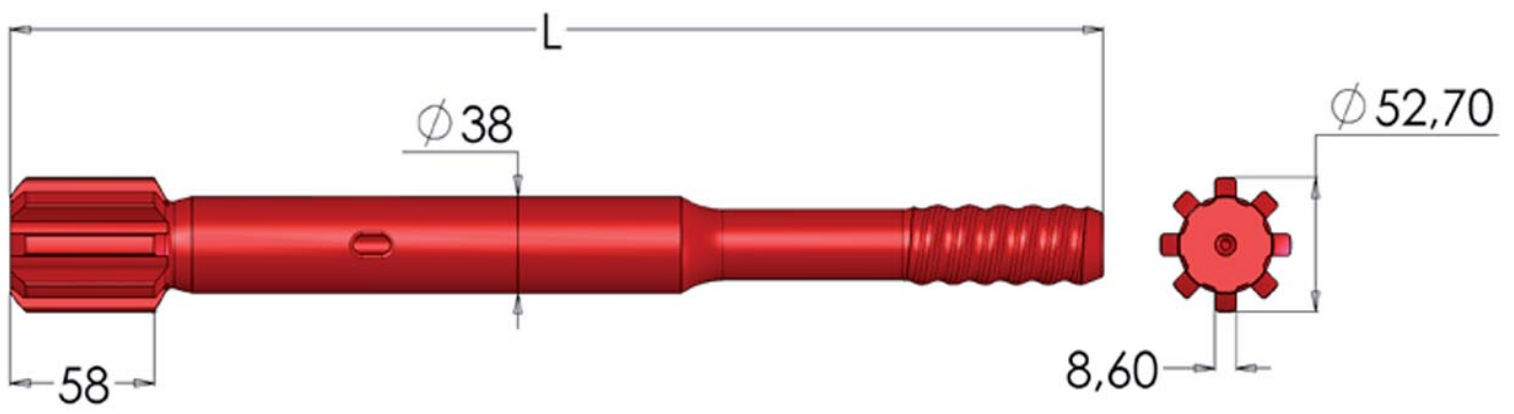
### Shank Adapters - Montabert - HC40375



**Part Number**  
TR-HC40R32375

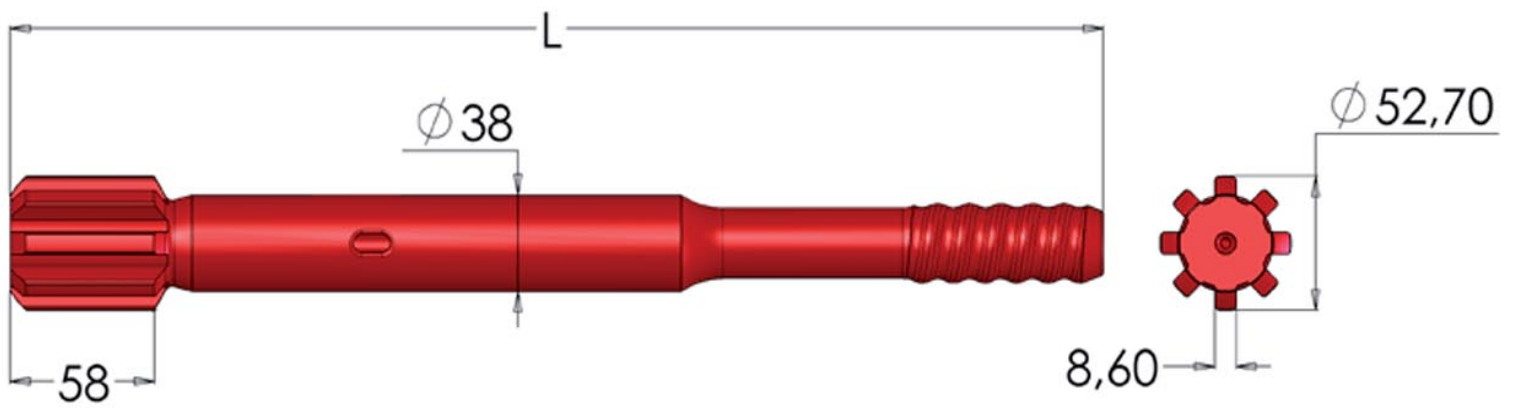
Thread	MM	Diameter	Weight
R32	375	38.0	2.30

### Shank Adapters - Montabert - HC40370



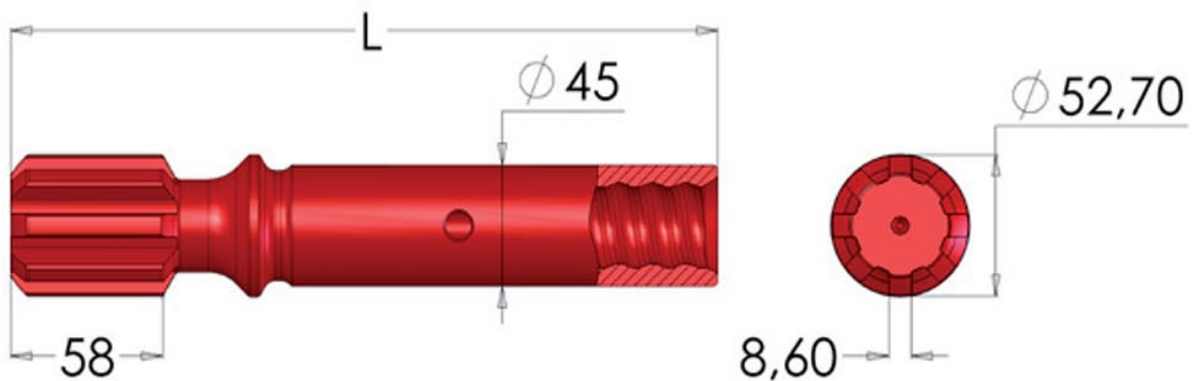
Part Number	Thread	MM	Diameter	Weight
TR-HC40R32370	R32	370	38.0	3.00
TR-HC40R38370	R38	370	38.0	3.20

### Shank Adapters - Montabert - HC40445



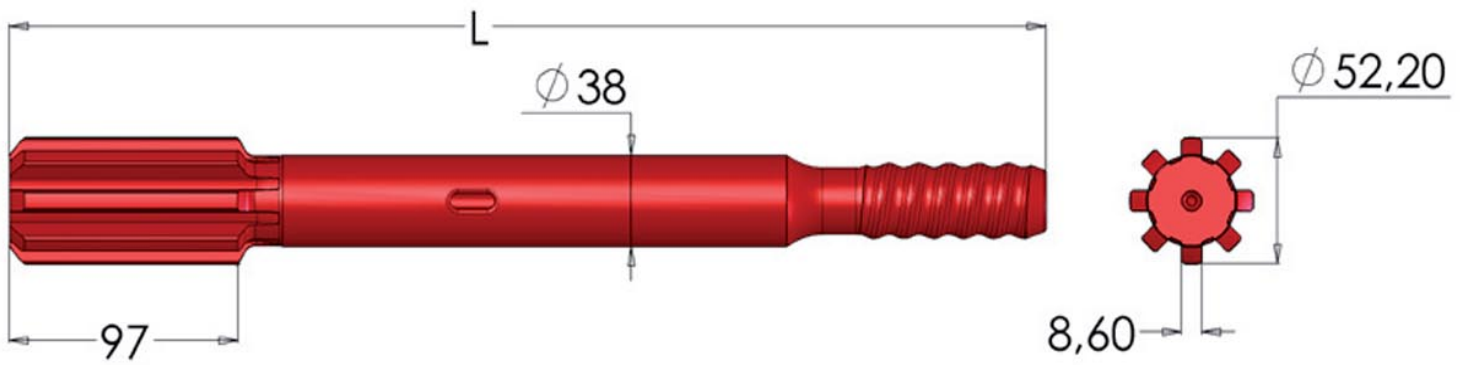
Part Number	Thread	MM	Diameter	Weight
TR-HC40R32445	R32	445	38.0	3.40
TR-HC40R38445	R38	445	38.0	3.50
TR-HC40T38445	T38	445	38.0	3.50

### Shank Adapters - Montabert - HC50F270



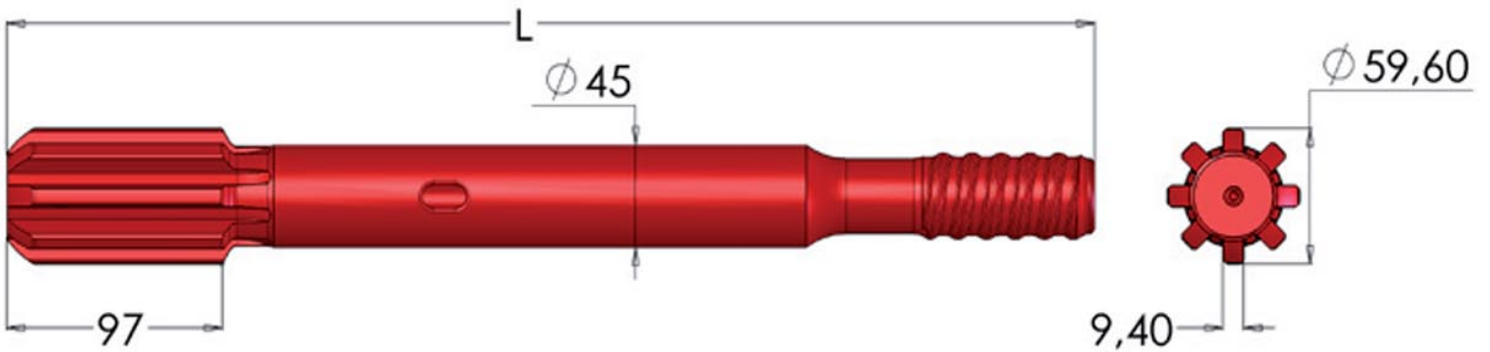
Part Number	Thread	MM	Diameter	Weight
TR-HC50R32F270	R32	270	45.0	2.30

### Shank Adapters - Montabert - HC80444



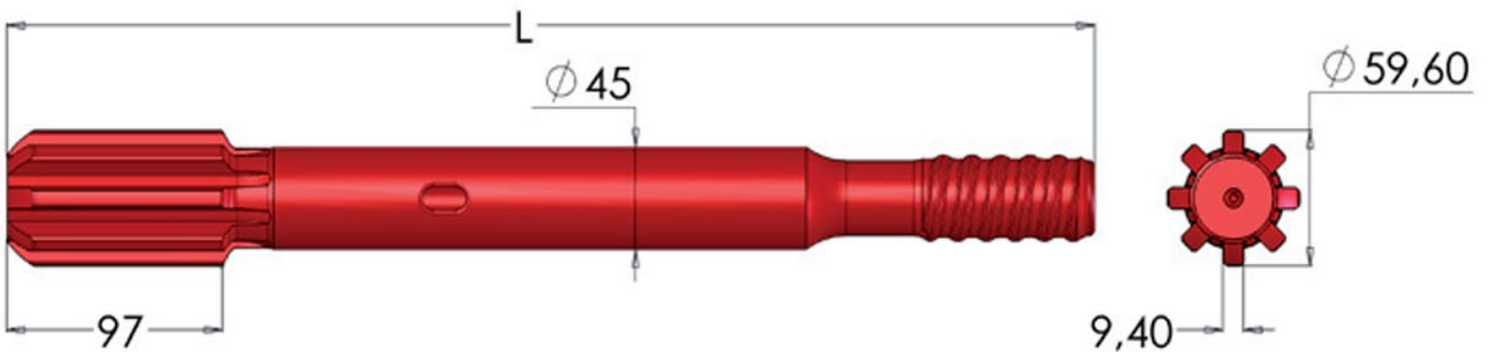
Part Number	Thread	MM	Diameter	Weight
TR-HC80R32444	R32	444	38.0	3.50
TR-HC80R38444	R38	444	38.0	3.80
TR-HC80T38444	T38	444	38.0	3.80
TR-HC80R38500	R38	500	38.0	4.10
TR-HC80T38500	T38	500	38.0	4.10

### Shank Adapters - Montabert - HC120420



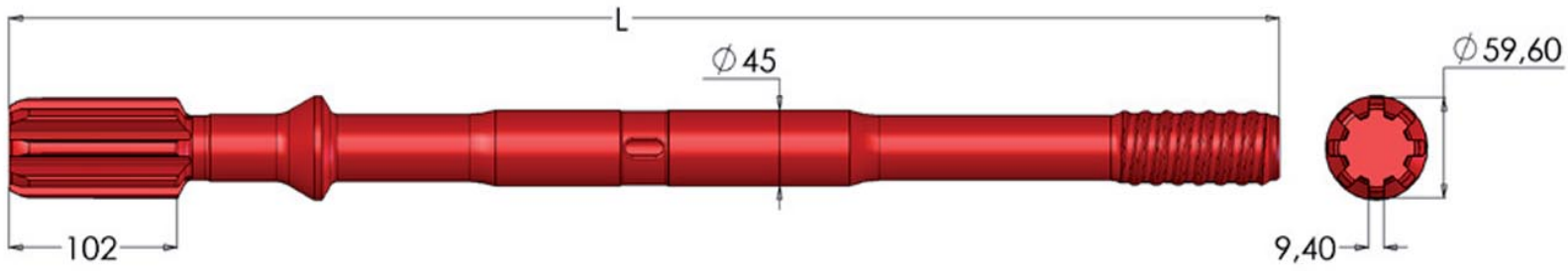
Part Number	Thread	MM	Diameter	Weight
TR-HC120T38420	T38	420	45.0	5.30
TR-HC120T45420	T45	420	45.0	5.60

### Shank Adapters - Montabert - HC120525



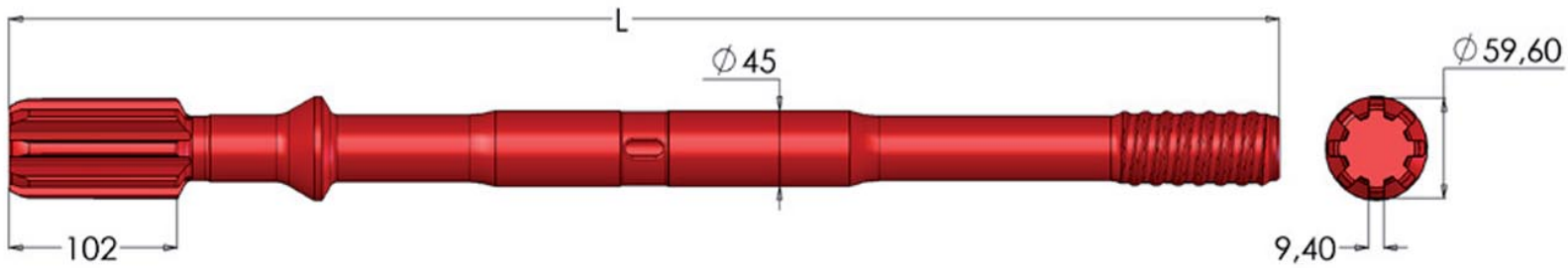
Part Number	Thread	MM	Diameter	Weight
TR-HC120T38525	T38	525	45.0	5.60

### Shank Adapters - Montabert - HC120R673



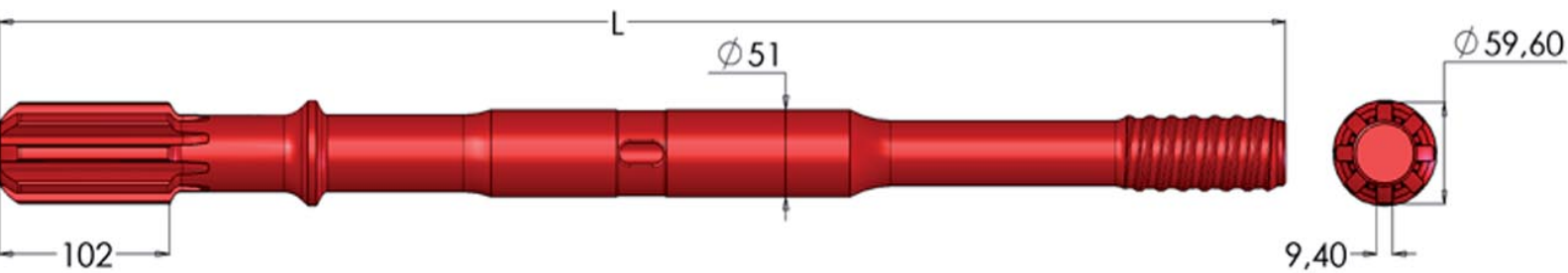
Part Number	Thread	MM	Diameter	Weight
TR-HC120RT38673	T38	673	45.0	7.10
TR-HC120RT45673	T45	673	45.0	7.30

### Shank Adapters - Montabert - HC120R762



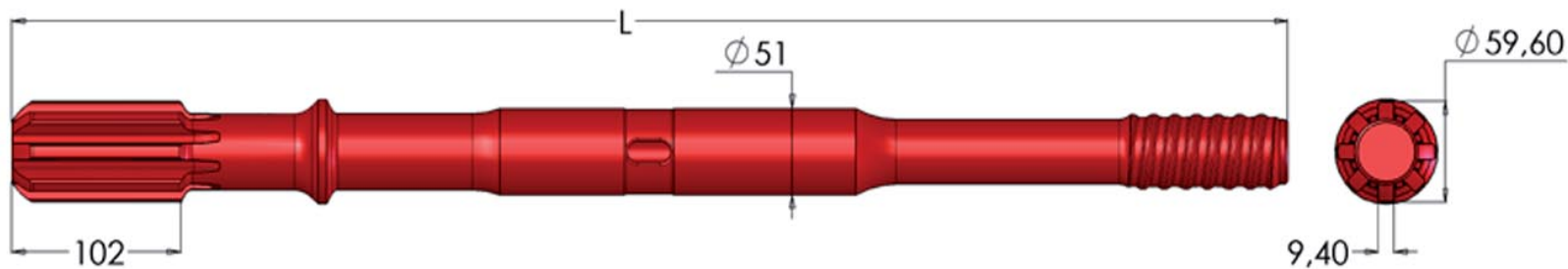
Part Number	Thread	MM	Diameter	Weight
TR-HC120RT45762	T45	762	45.0	8.00

### Shank Adapters - Montabert - HC150R673



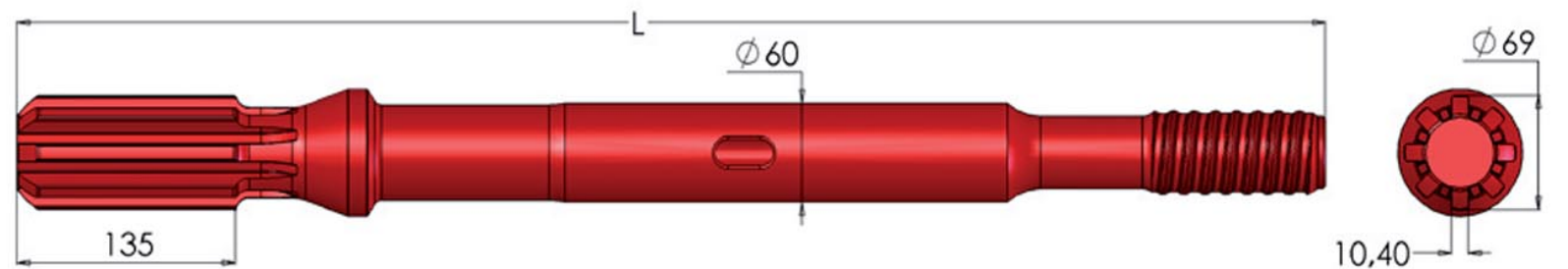
Part Number	Thread	MM	Diameter	Weight
TR-HC150RT45673	T45	673	51.0	9.00
TR-HC150RT51673	T51	673	51.0	9.20

### Shank Adapters - Montabert - HC150R762



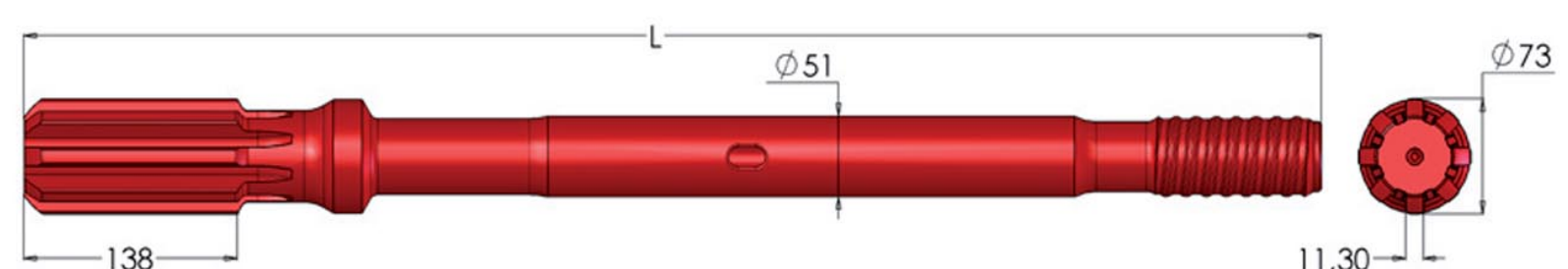
Part Number	Thread	MM	Diameter	Weight
TR-HC150RT45762	T45	762	51.0	9.70
TR-HC150RT51762	T51	762	51.0	10.20

**Shank Adapters - Montabert - HC170825**



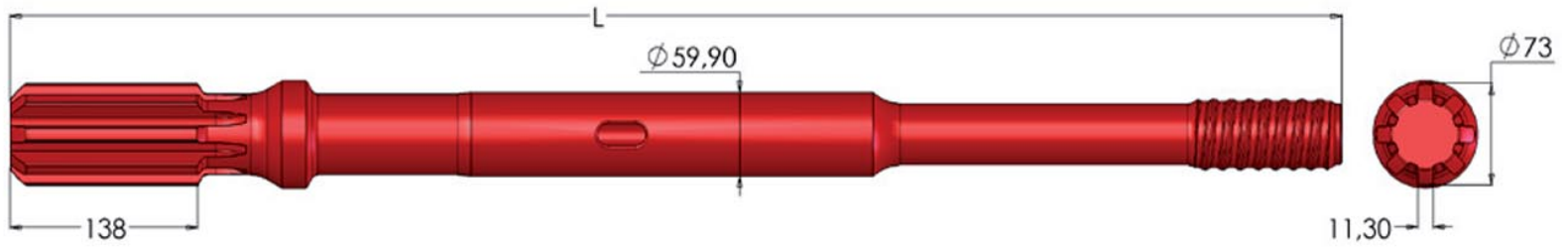
Part Number	Thread	MM	Diameter	Weight
TR-HC170T45825	T45	825	60.0	14.70
TR-HC170T51825	T51	825	60.0	15.00

**Shank Adapters - Montabert - HC200838**



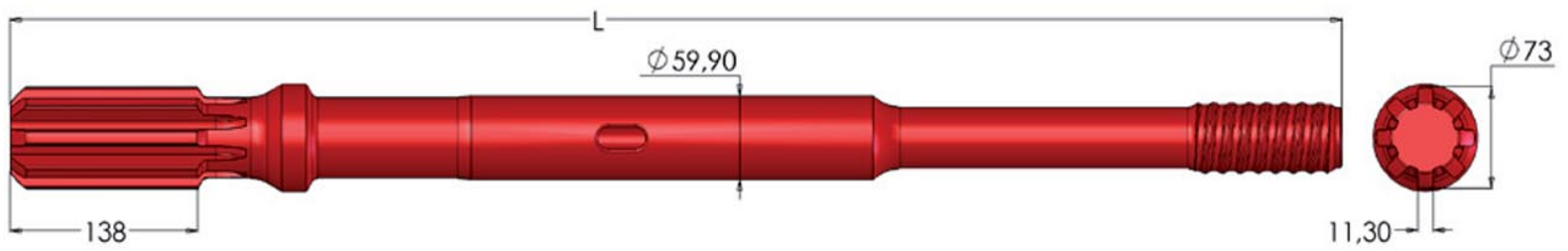
Part Number	Thread	MM	Diameter	Weight
TR-HC200T51838	T51	838	51.0	13.50

**Shank Adapters - Montabert - HC200840**



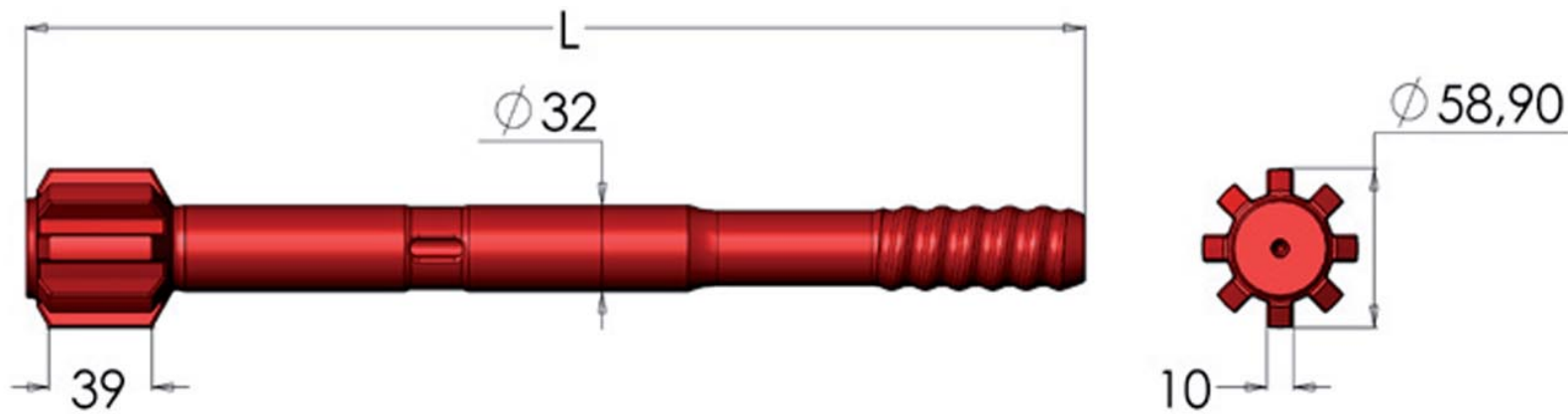
Part Number	Thread	MM	Diameter	Weight
TR-HC200T51840	T51	840	60.0	15.90
TR-HC200T60840	T60	840	60.0	16.40

### Shank Adapters - Montabert - HC200980



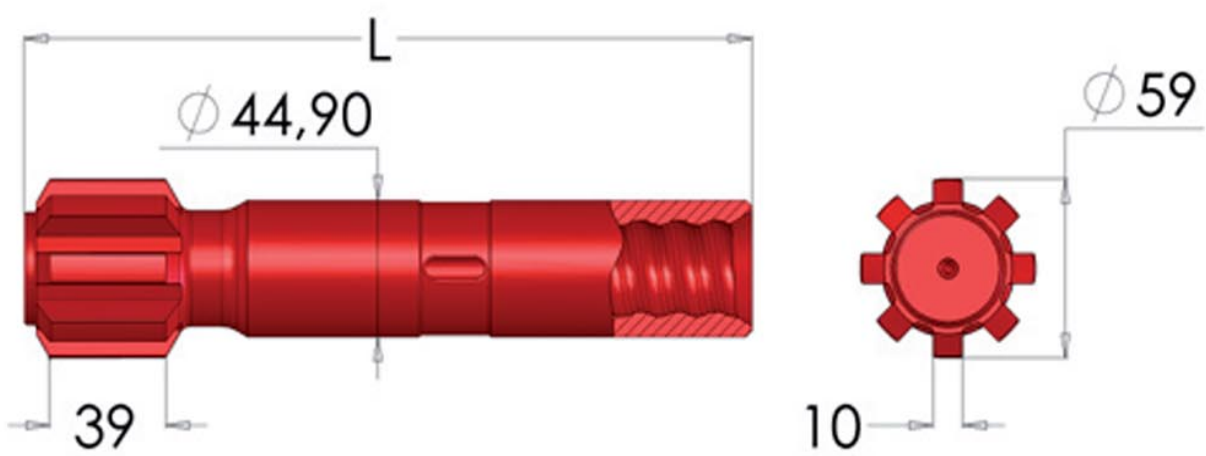
Part Number	Thread	MM	Diameter	Weight
TR-HC200T51980	T51	980	60.0	17.00
TR-HC200T60980	T60	980	60.0	17.50

### Shank Adapters - Tamrock - HL300



Part Number	Thread	MM	Diameter	Weight
TR-HL300R32400	R32	400	32.0	2.60

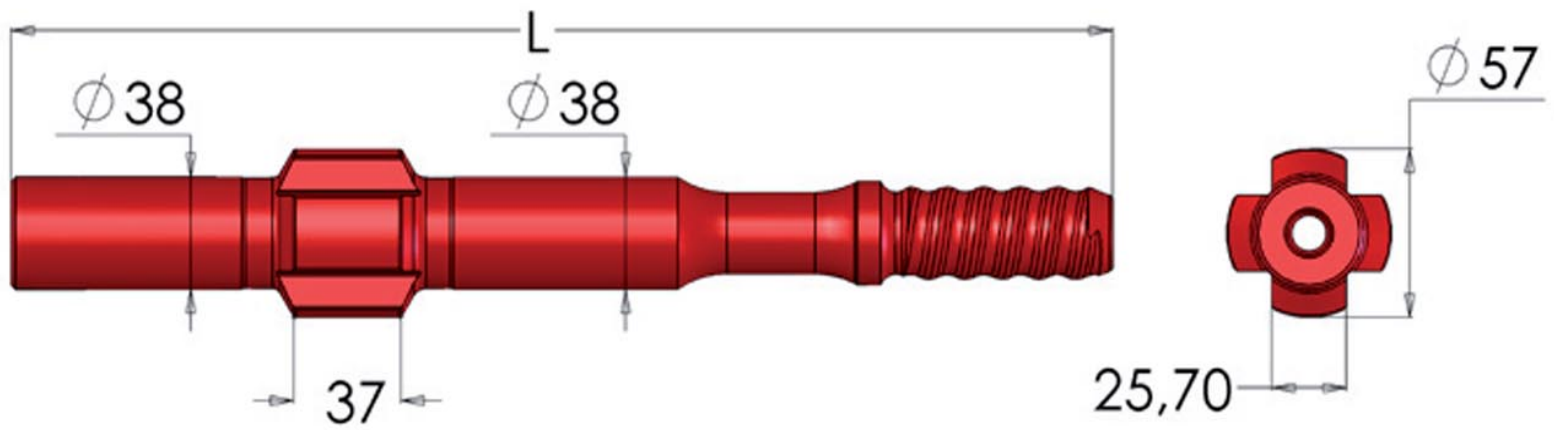
### Shank Adapters - Tamrock - HL300245



**Part Number**  
TR-HL300R32245

Thread	MM	Diameter	Weight
R32	245	39.0	2.50

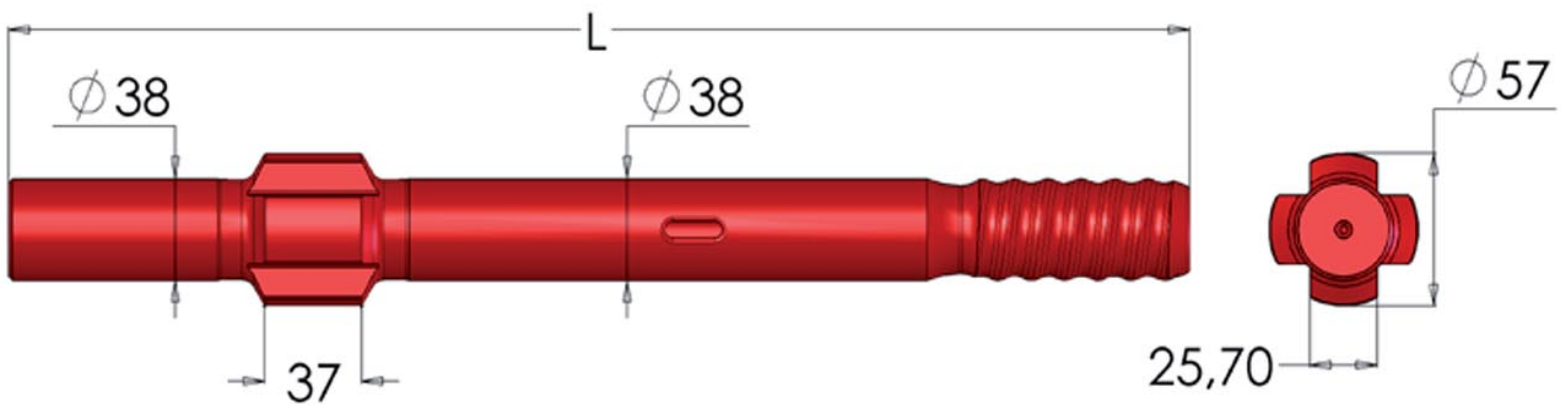
### Shank Adapters - Tamrock - HL438



**Part Number**  
TR-HL438R32380  
TR-HL438R38380  
TR-HL438T38380

Thread	MM	Diameter	Weight
R32	380	38.0	2.80
R38	380	38.0	3.10
T38	380	38.0	3.10

### Shank Adapters - Tamrock - HL538

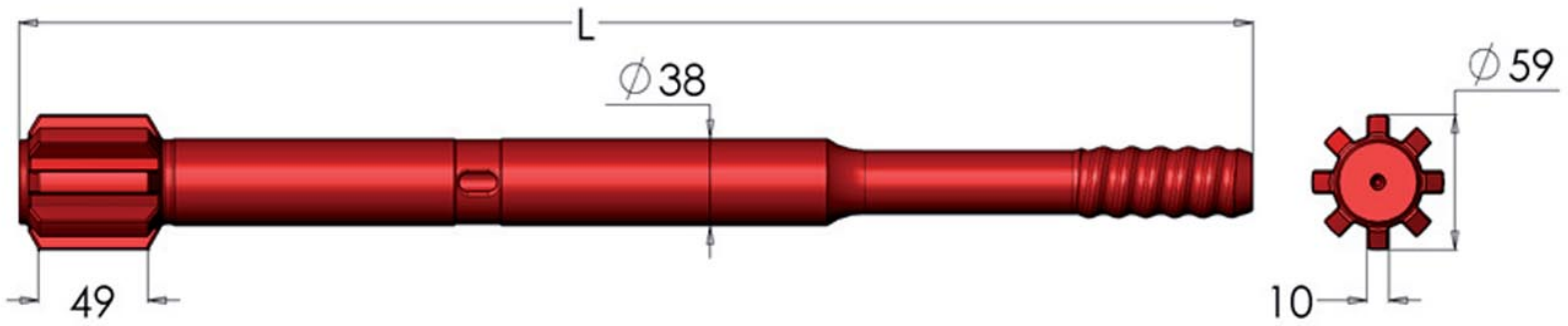


**Part Number**  
TR-HL538R32450  
TR-HL538R38450  
TR-HL538T38457  
TR-HL538R32495  
TR-HL538R38495  
TR-HL538T38495  
TR-HL538T38545

Thread	MM	Diameter	Weight
R32	450	38.0	3.50
R38	450	38.0	4.10
T38	457	38.0	4.00
R32	495	38.0	4.25
R38	495	38.0	4.30
T38	495	38.0	4.30
T38	545	38.0	4.70

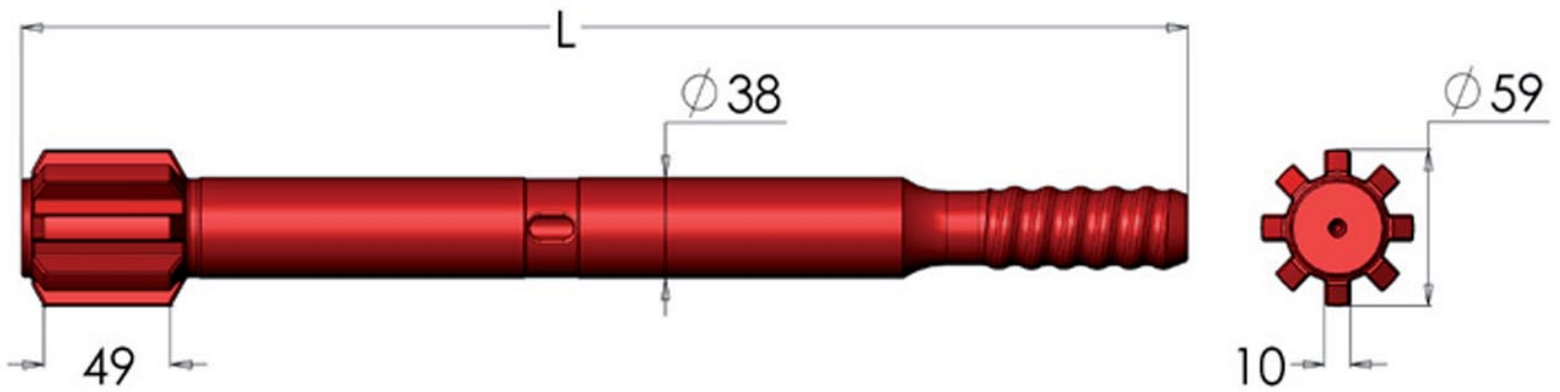
### Shank Adapters - Tamrock - HL500





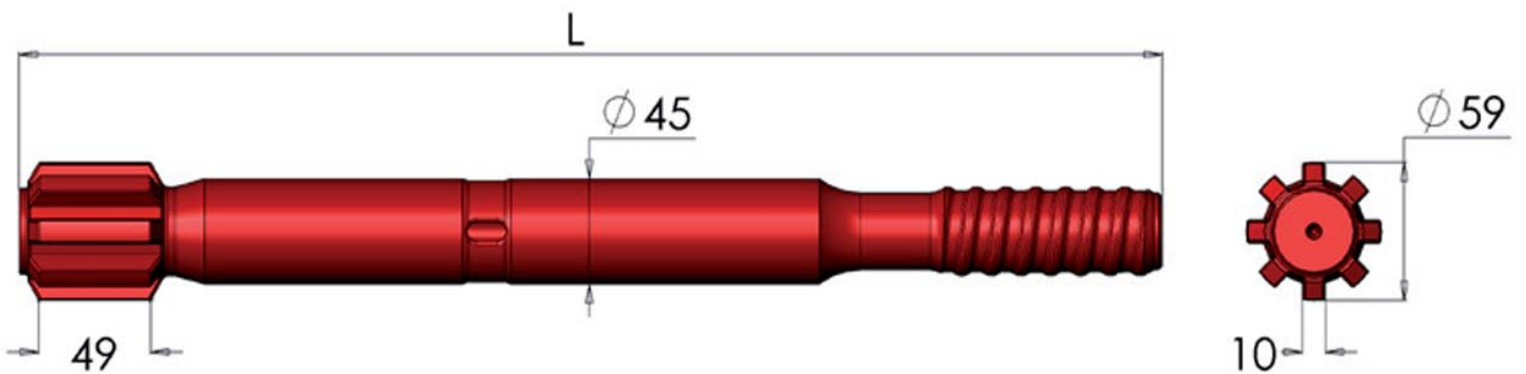
Part Number	Thread	MM	Diameter	Weight
TR-HL500R32550	R32	550	38.0	4.25
TR-HL500R38550	R38	550	38.0	4.50
TR-HL500T38550	T38	550	38.0	4.50

### Shank Adapters - Tamrock - HL5002



Part Number	Thread	MM	Diameter	Weight
TR-HL500R32450	R32	450	38.0	3.75
TR-HL500R38450	R38	450	38.0	4.00
TR-HL500T38450	T38	450	38.0	4.00
TR-HL500R38500	R38	500	38.0	4.30
TR-HL500T38500	T38	500	38.0	4.30

### Shank Adapters - Tamrock - HL550



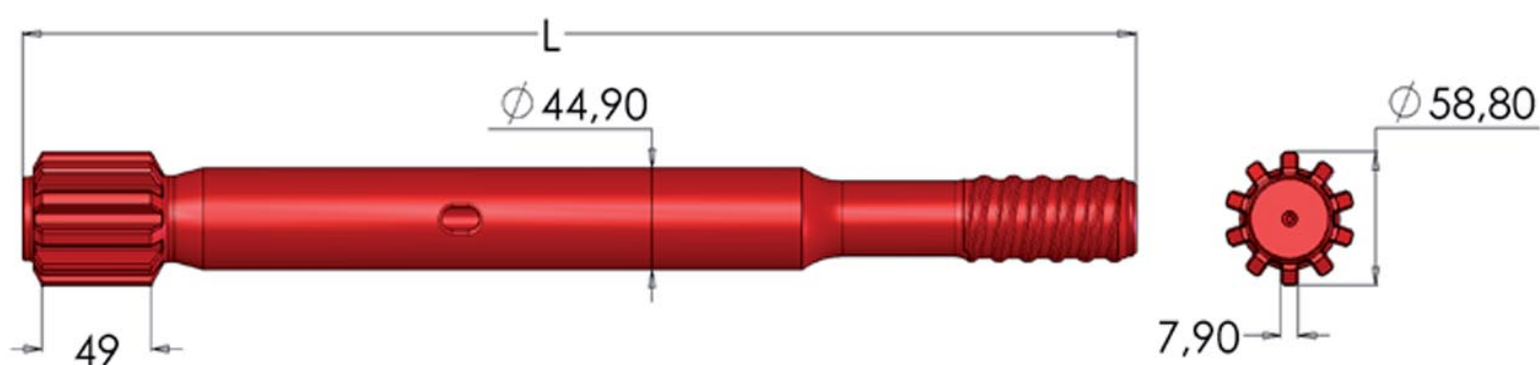
Part Number	Thread	MM	Diameter	Weight
TR-HL550T38500	T38	500	45.0	5.00
TR-HL550T45500	T45	500	45.0	5.00
TR-HL550R32550	R32	550	45.0	5.00
TR-HL550R38550	R38	550	45.0	5.35
TR-HL550T38550	T38	550	45.0	5.30

## Shank Adapters - Tamrock - HLX1



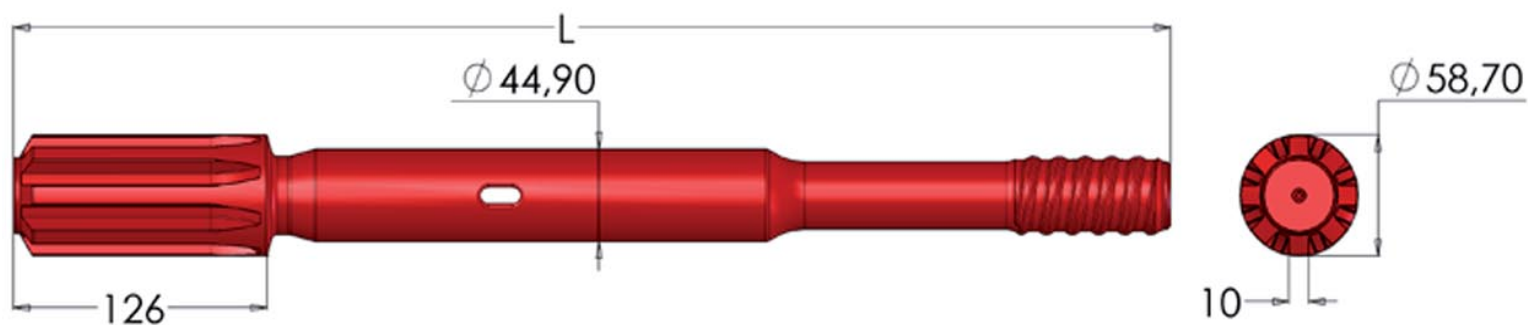
Part Number	Thread	MM	Diameter	Weight
TR-HLX1R25265	R25	265	28.0	1.12

## Shank Adapters - Tamrock - HLX5



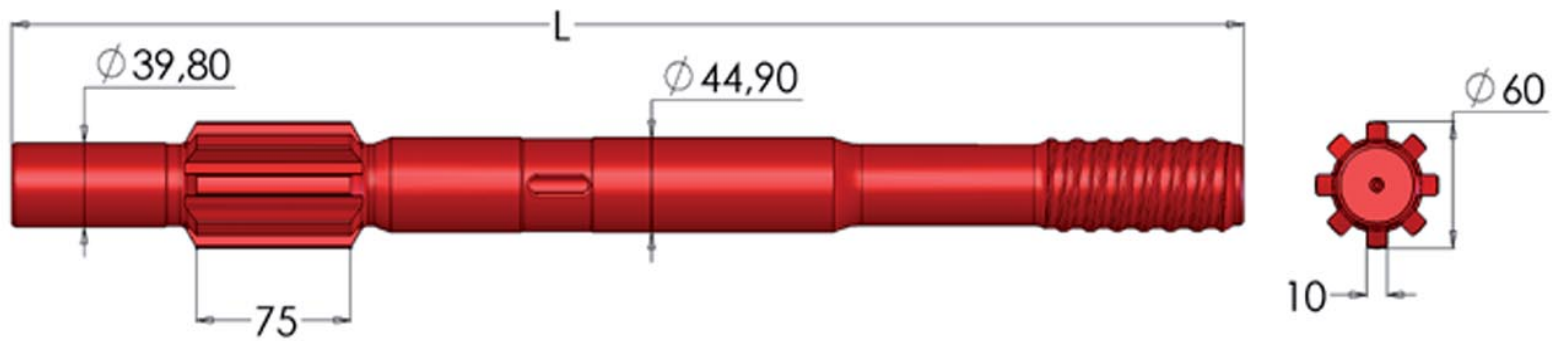
Part Number	Thread	MM	Diameter	Weight
TR-HLX5R32500	R32	500	44.9	5.10
TR-HLX5R38500	R38	500	44.9	5.30
TR-HLX5T38500	T38	500	44.9	5.30
TR-HLX5T45500	T45	500	44.9	5.50
TR-HLX5T38600	T38	600	44.9	5.90
TR-HLX5T45600	T45	600	44.9	6.20

## Shank Adapters - Tamrock - HLX5RP



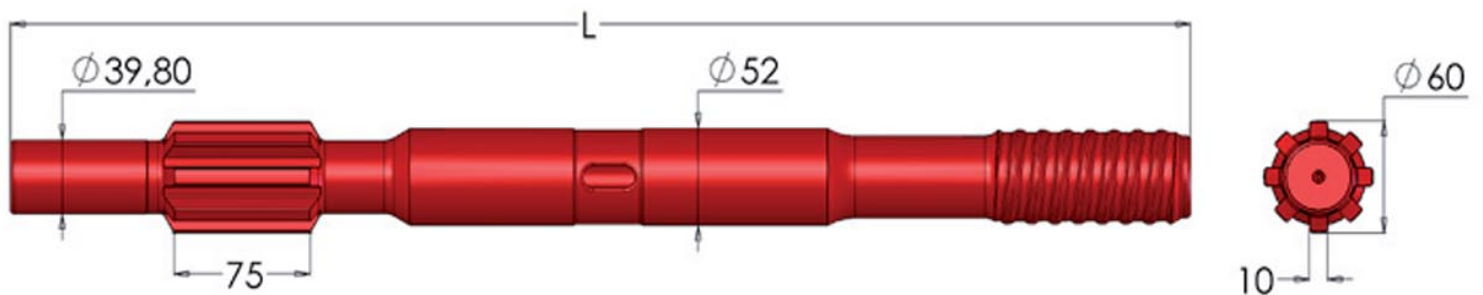
Part Number	Thread	MM	Diameter	Weight
TR-HLX5RPR32575	R32	575	44.9	5.10
TR-HLX5RPT38575	T38	575	44.9	5.30
TR-HLX5RPR32735	R32	735	44.9	6.83
TR-HLX5RPT38735	T38	735	44.9	7.15

## Shank Adapters - Tamrock - HL600



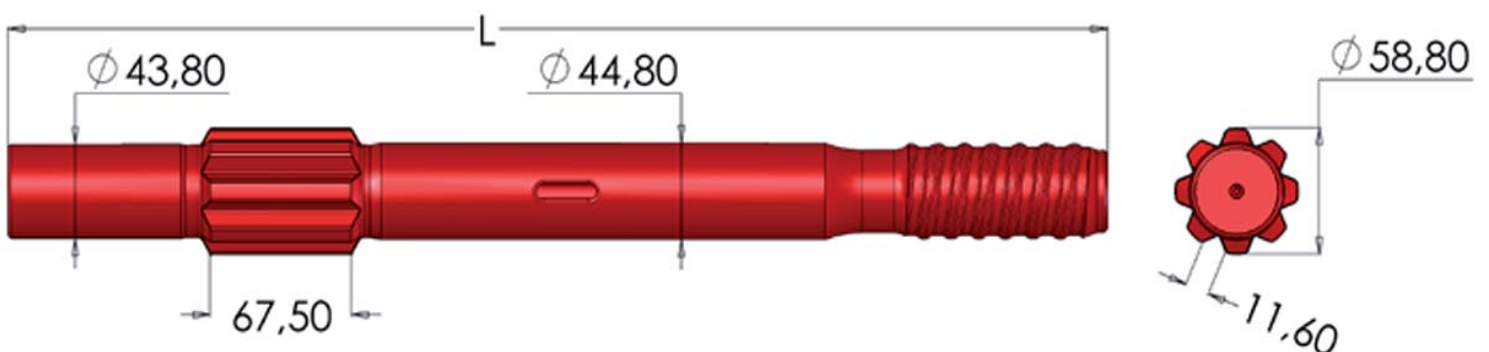
Part Number	Thread	MM	Diameter	Weight
TR-HL600R38600	R38	600	44.9	6.10
TR-HL600T38600	T38	600	44.9	6.10
TR-HL600T45600	T45	600	44.9	6.30

## Shank Adapters - Tamrock - HL600S



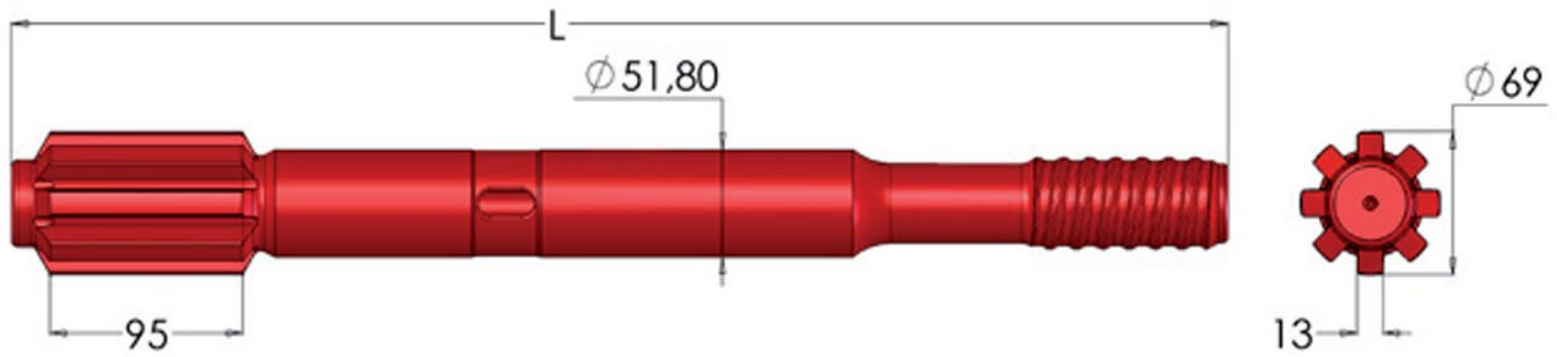
Part Number	Thread	MM	Diameter	Weight
TR-HL600ST45650	T45	650	52.0	7.70
TR-HL600ST51650	T51	650	52.0	8.30

## Shank Adapters - Tamrock - HL645



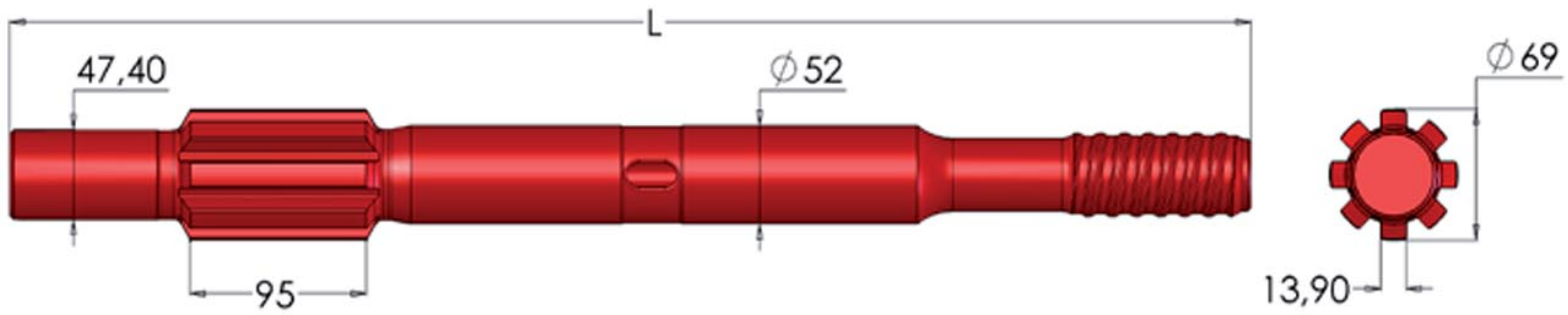
Part Number	Thread	MM	Diameter	Weight
TR-HL645T38610	T38	610	44.8	5.90
TR-HL645T45610	T45	610	44.8	6.50

## Shank Adapters - Tamrock - HL700



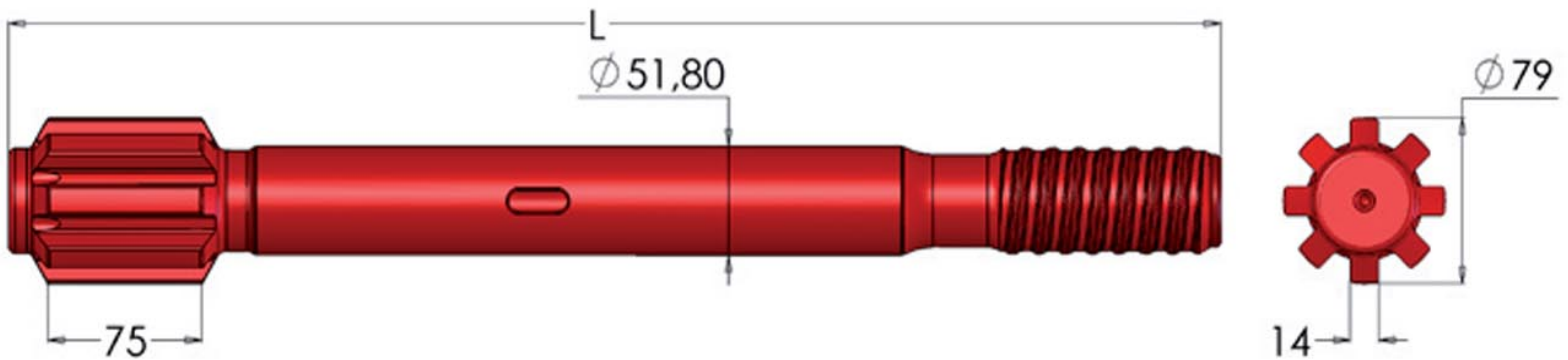
Part Number	Thread	MM	Diameter	Weight
TR-HL700T38603	T38	603	51.8	8.15
TR-HL700T45603	T45	603	51.8	8.35
TR-HL700T51603	T51	603	51.8	8.85

### Shank Adapters - Tamrock - HL850



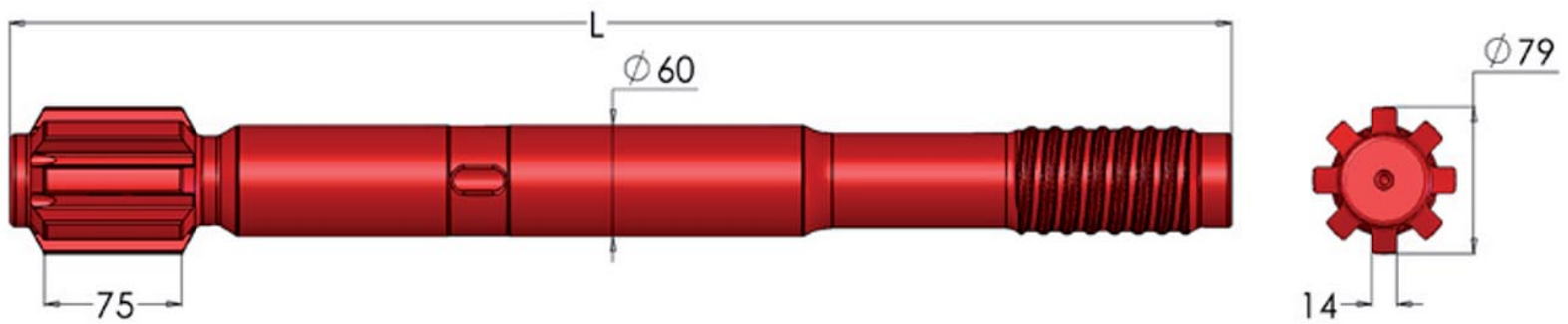
Part Number	Thread	MM	Diameter	Weight
TR-HL850T45670	T45	670	52.0	9.20
TR-HL850T51670	T51	670	52.0	9.85

### Shank Adapters - Tamrock - HL1000



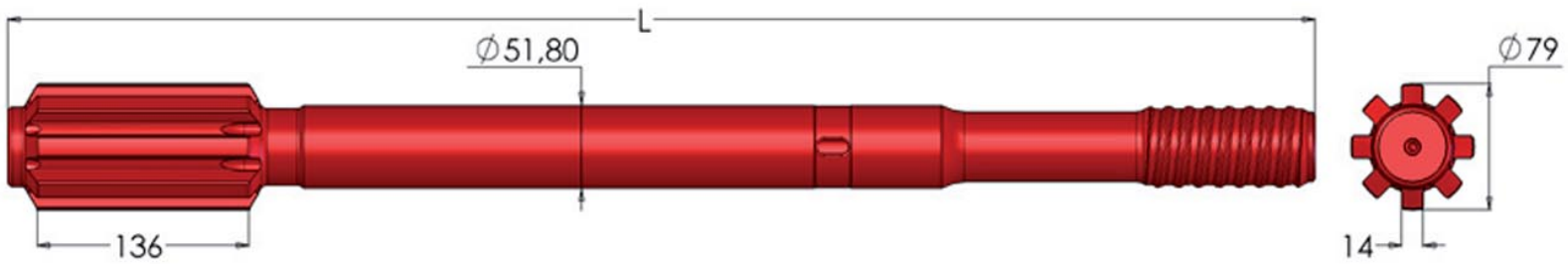
Part Number	Thread	MM	Diameter	Weight
TR-HL1000T45590	T45	590	51.8	9.15
TR-HL1000T51590	T51	590	51.8	9.65
TR-HL1000T45673	T45	673	51.8	10.00
TR-HL1000T51673	T51	673	51.8	10.30

### Shank Adapters - Tamrock - HL1000S



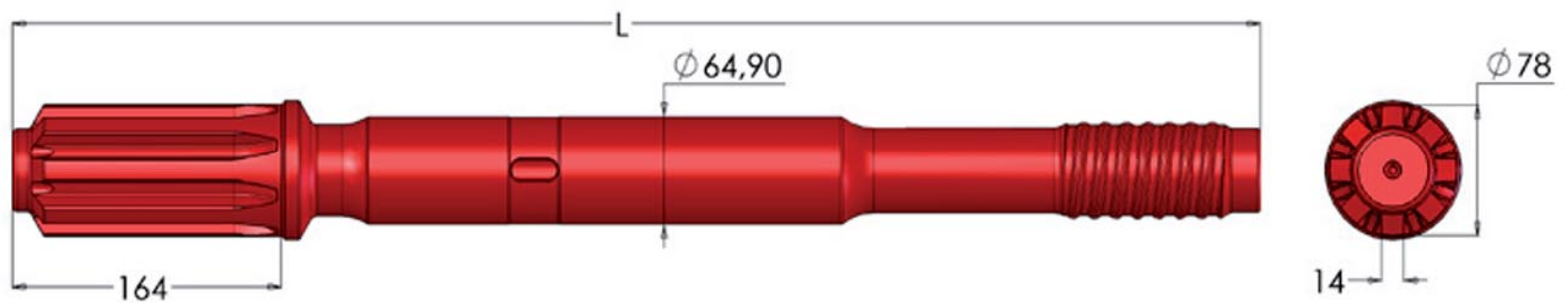
Part Number	Thread	MM	Diameter	Weight
TR-HL1000ST58673	ST58	673	60.0	12.80
TR-HL100T60673	T60	673	60.0	12.80
TR-HL1000GT60673	GT60	673	60.0	13.00

### Shank Adapters - Tamrock - HL1000EX



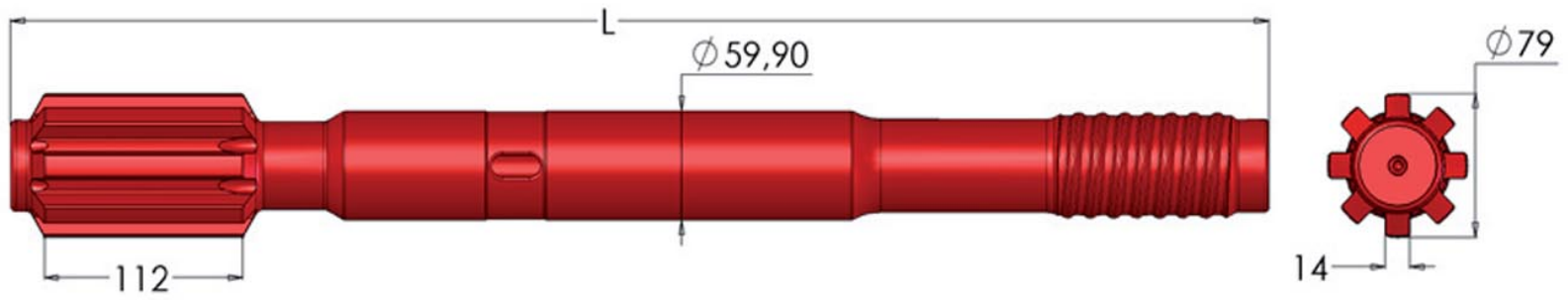
Part Number	Thread	MM	Diameter	Weight
TR-HL1000EXT51840	T51	840	51.8	14.00

### Shank Adapters - Tamrock - 1500RP



Part Number	Thread	MM	Diameter	Weight
TR-HL1500RPST58760	ST58	760	64.9	16.50
TR-1500RPT60760	T60	760	64.9	16.50
TR-HL1500RPGT760	GT60	760	64.9	16.70

### Shank Adapters - Tamrock - HL1500



**Part Number**

TR-HL1500ST58710  
 TR-HL1500T60710  
 TR-HL1500T51760  
 TR-HL1500T60760  
 TR-HL1500GT60760

**Thread**

ST58  
 T60  
 T51  
 T60  
 GT60

**MM**

710  
 710  
 760  
 760  
 760

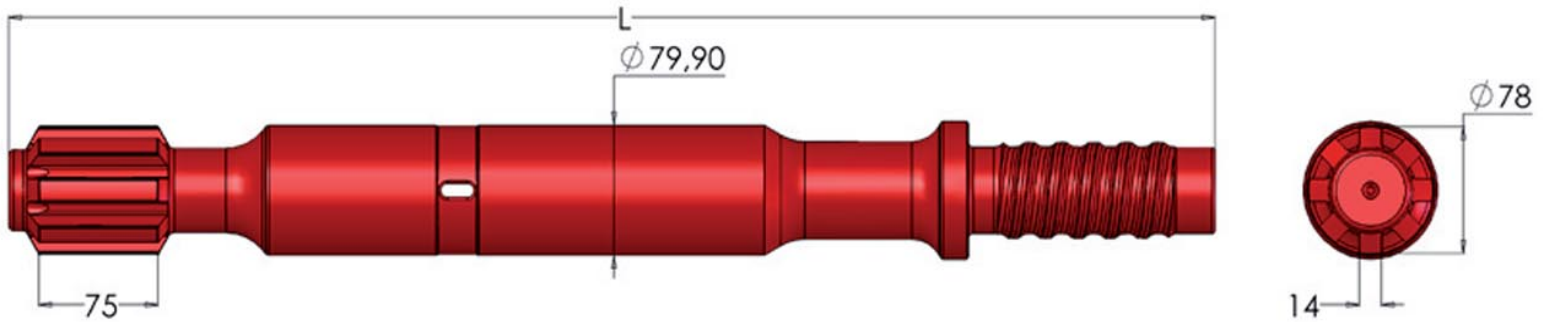
**Diameter**

59.9  
 59.9  
 59.9  
 59.9  
 59.9

**Weight**

13.70  
 13.70  
 12.00  
 14.00  
 14.20

**Shank Adapters - Tamrock - HL1560**



**Part Number**

TR-HL1560T60760

**Thread**

T60

**MM**

760

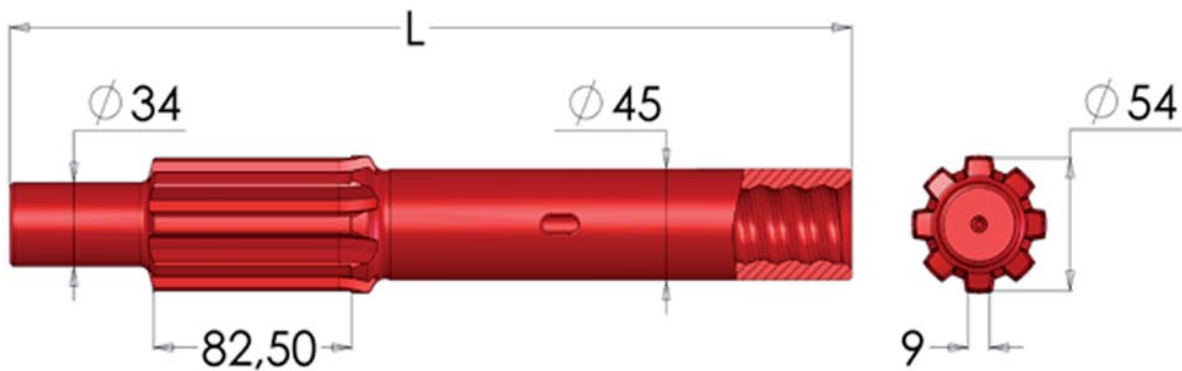
**Diameter**

79.9

**Weight**

21.00

**Shank Adapters - Secoma - AC200**



**Part Number**

TR-AC200R32356

**Thread**

R32

**MM**

356

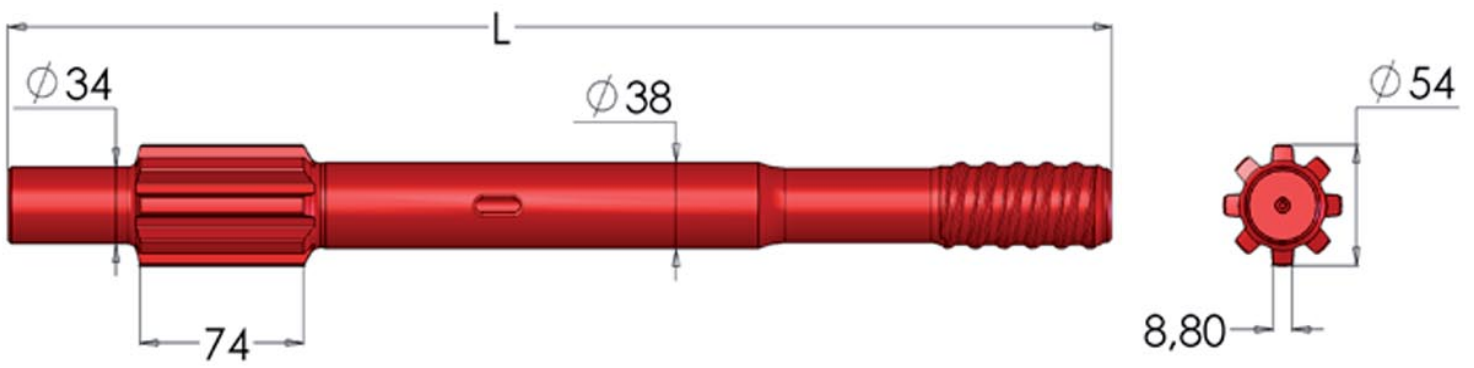
**Diameter**

45.0

**Weight**

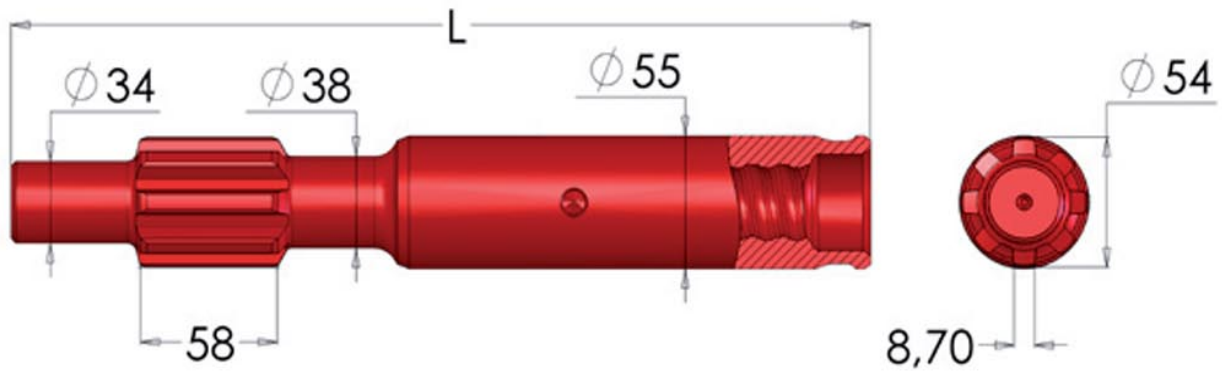
3.60

**Shank Adapters - SIG - HBM100**



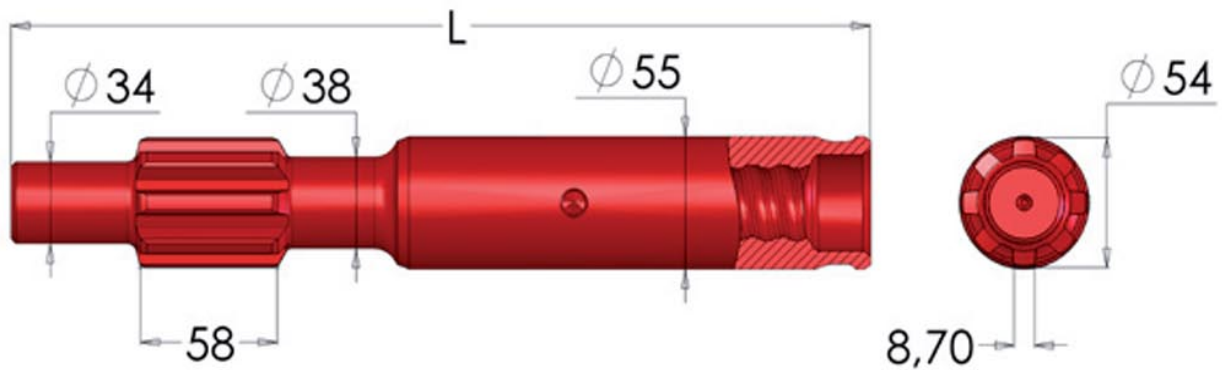
Part Number	Thread	MM	Diameter	Weight
TR-HBM100R32500	R32	500	38.0	3.90
TR-HBM100R38500	R38	500	38.0	4.20
TR-HBM100T38500	T38	500	38.0	4.20

### Shank Adapters - SIG - HMB100F



Part Number	Thread	MM	Diameter	Weight
TR-HMB100FR32365	R32	365	55.0	4.40

### Shank Adapters - SIG - HBM100F



Part Number	Thread	MM	Diameter	Weight
TR-HBM100FR38365	R38	365	55.0	4.30