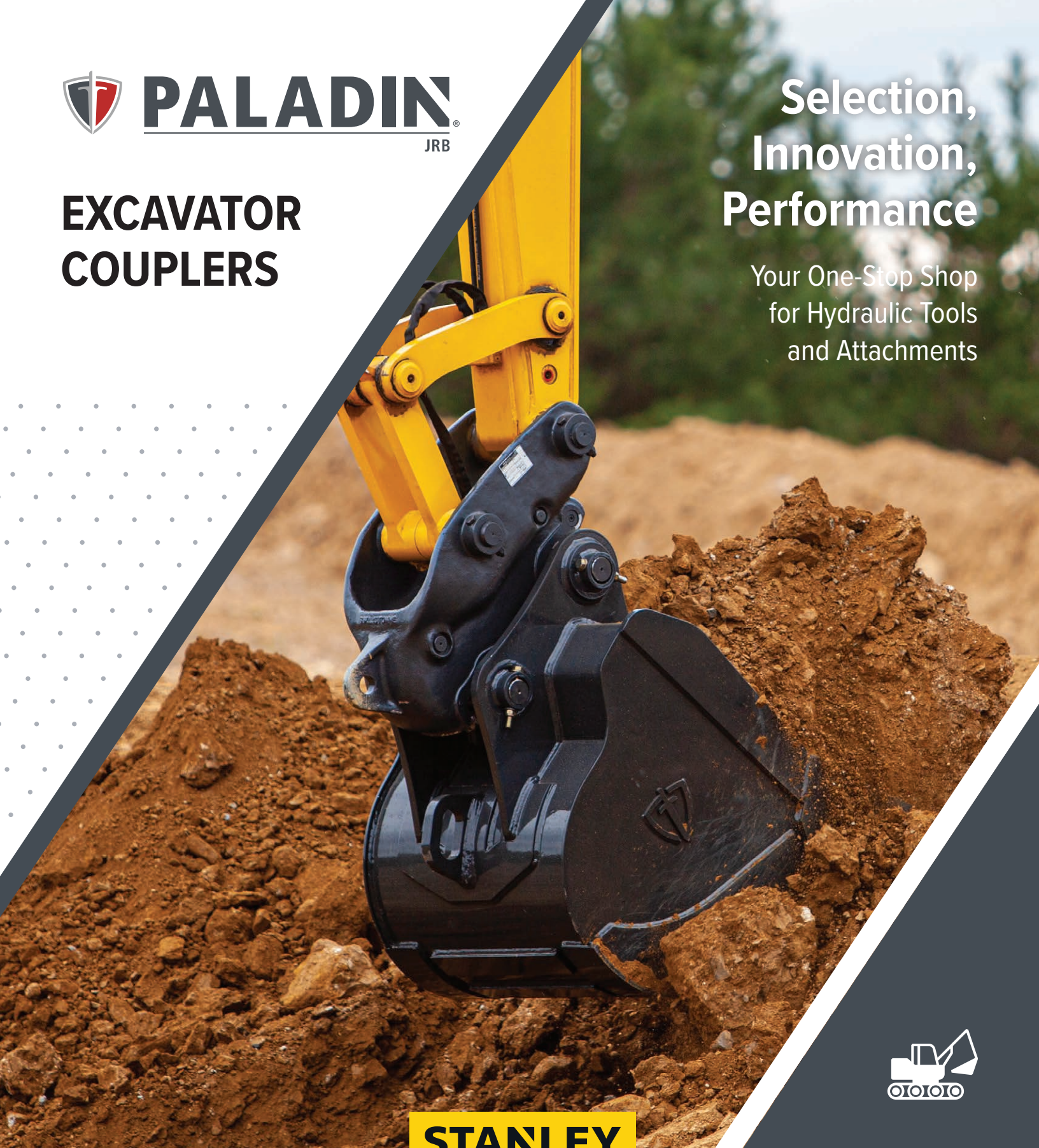




EXCAVATOR COUPLERS

Selection,
Innovation,
Performance

Your One-Stop Shop
for Hydraulic Tools
and Attachments



STANLEY
Infrastructure

INDUSTRIAL TOOLS & ATTACHMENTS

 **PALADIN**  **STANLEY**  **LABOUNTY**  **PENGO**

WHY SHOULD YOU BUY A **JRB**® EXCAVATOR COUPLER?



Increased Excavator Productivity

JRB's range of excavator couplers provides the versatility needed to get the most productivity out of an excavator. Spend less time changing attachments and get the job done faster.

Easy to Install

Machine model specific install kits and manuals that keep installation time to a minimum.

Installation Services

Paladin's CustomWorks® facilities are located close to excavator facilities and stand ready to install couplers on new excavators, so that they arrive at your lot ready to work.

DURALATCH™

HYDRAULIC TWIN LOCKING MULTI-PIN GRABBER

Transform your machine into a secure and reliable multi-tool carrier. The extensive range of Paladin®'s DuraLatch™ couplers ensure your equipment can access the attachments needed to maximize production and get the best performance on every job.

A high performance quick coupler based on an absolute flexibility and uncompromising utility. The DuraLatch has been designed from the inside out. It's an excavator tool built to remove hindrances.



HIGH STRENGTH CAST DESIGN

Delivers exceptional high strength performance



TWIN-LOCK

Dual ABS independent back up system for quick, safe attachment changes



UNIVERSAL CONNECTIVITY

Pick up attachments within the same size class regardless of the OEM make



LIFTING EYE

Cast lifting eye located in the center of the coupler for maximum strength and lifting capacity



VERSATILE OPERATION

Work in either backhoe or face shovel mode

AVAILABLE IN THE FOLLOWING EXCAVATOR SIZES

2T 3T 5T 8T 12T 15T 20T 25T 27T 35T 45T

DELIVERING ENHANCED POWER TO YOUR MACHINE

The innovative fully cast body shell is capable of withstanding all working environments while maintaining a lightweight, low-profile design.

Heat treated high-grade steel designed to guarantee its strength and help eliminate weak points to enhance durability in high stress operations.

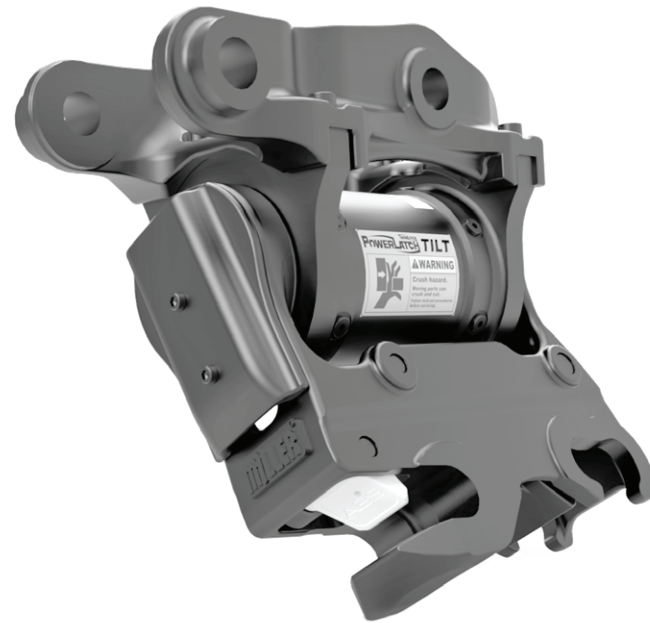
New low profile design delivering a shorter pin to point measurement which delivers maximum breakout force for greater productivity and efficiency.



POWERLATCH™ TILT

HYDRAULIC TWIN LOCKING TILTING QUICK COUPLER

The PowerLatch™ Tilt Coupler combines the versatility of the PowerLatch multi-pin grabber coupler with the ability to tilt the attachment a full 90° in each direction allowing you to reach more places in less time and with less repositioning.



PERFORMANCE FROM EVERY ANGLE

The move from a standard fixed quick coupler to a tilt coupler is nothing short of a complete revolution in machine productivity and performance.



180° TILT

Achieve more from your excavator without repositioning



TWIN-LOCK

Dual ABS independent back up system for quick, safe attachment changes



UNIVERSAL CONNECTIVITY

Pick up attachments within the same size class regardless of the OEM make

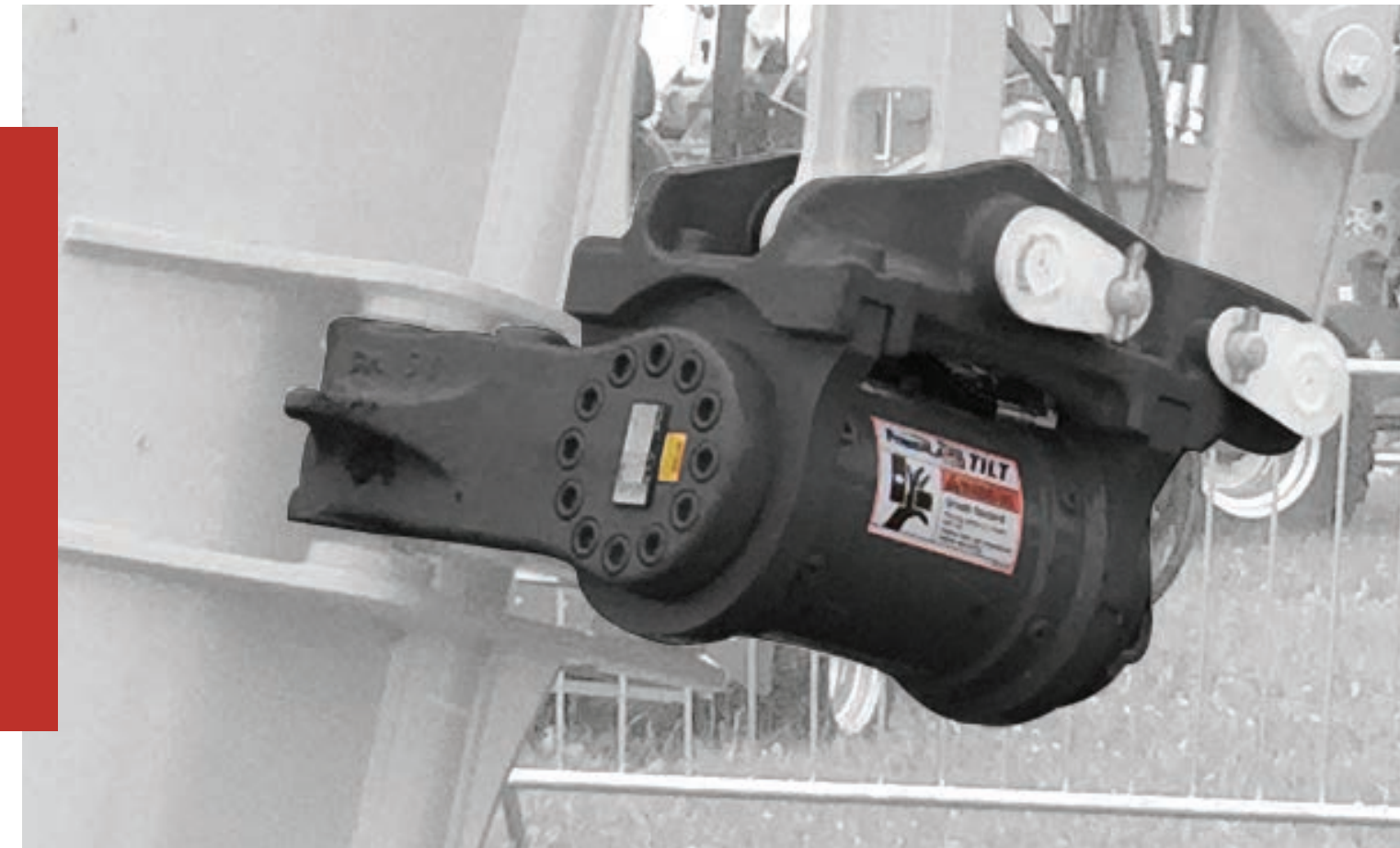


LOW MAINTENANCE

No maintenance, sealed actuator keeps coupler working longer

AVAILABLE IN THE FOLLOWING EXCAVATOR SIZES

2T	3T	5T	8T	12T	15T	20T	25T	27T	35T	45T
----	----	----	-----------	------------	------------	------------	-----	-----	-----	-----



SMARTLOC®

HYDRAULIC DEDICATED PIN GRABBER COUPLER

The SmartLoc® Coupler offers flexibility and value when using attachments intended for a specific machine. It is optimized to fit a single machine model based on the pin spread, pin diameter, and machine geometry.



WEDGE LOCKING SYSTEM

Adjusts for wear keeping a tight connection



OPTIMIZED FIT

Designed specifically for the designated excavator's attachments for a firm fit



LOW PROFILE

Maintains short vertical offset to deliver max breakout force

AVAILABLE IN THE FOLLOWING EXCAVATOR SIZES

2T 3T 5T 8T 12T 15T 20T 25T 27T 35T 45T

DEDICATED PERFORMANCE

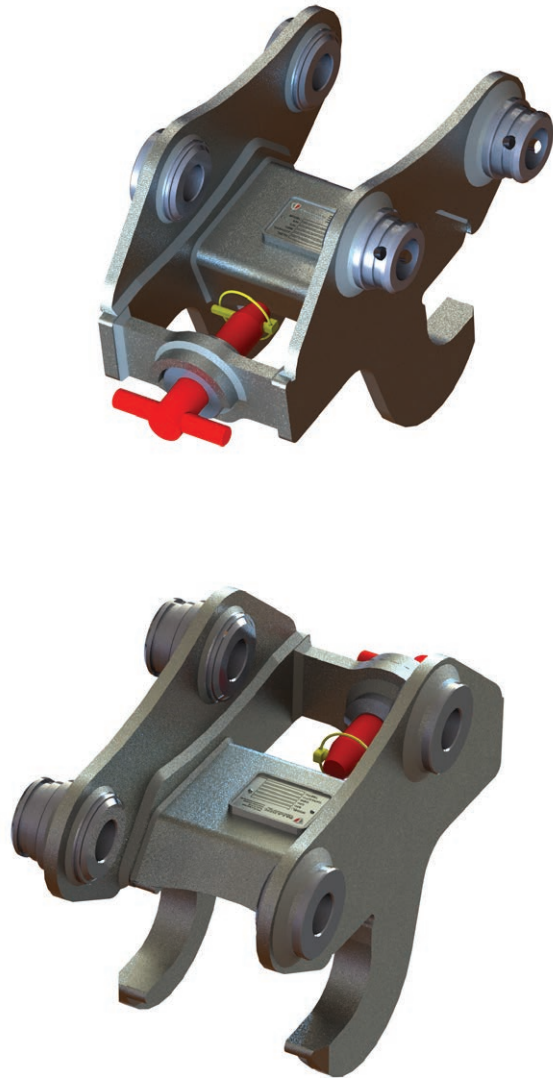
The SmartLoc® Coupler is one of the most reliable, time-tested couplers in the industry. Its unique wedge design features effortless tool changes from the cab.



QUICK HITCH™

MECHANICAL COUPLER

The Quick Hitch™ Coupler provides a simple and reliable means of adding versatility to your excavator.



AVAILABLE IN THE FOLLOWING EXCAVATOR SIZES

2T 3T 5T 8T 12T 15T 20T 25T 27T 35T 45T

PALADIN OFFERS A FULL RANGE OF EXCAVATOR ATTACHMENTS

THUMBS

Tackle tough material handling jobs with Paladin® Main Pin and Progressive Link thumbs.



BUCKETS

Unearth the value that Paladin®'s line of Excavator Buckets can deliver.



BREAKERS

Demolish concrete and rock with Paladin's StrikeForce® breakers.



and More...

Delivering specialized solutions to enhance your excavators, CustomWorks® can help standard machines tackle the most rugged applications. CustomWorks® can modify your newly purchased or current equipment at one of four convenient locations, or ship the necessary parts and kits directly to the dealership.

PERFORMANCE. PARTNERSHIP. SELECTION.



STANLEY
Infrastructure

6430 SE Lake Rd.
Portland, OR 97222
833.723.1843
www.STANLEYinfrastructure.com

