

# Excavator attachments

Demolition, recycling and earth-moving.  
Experience our Hydraulic Attachment Tools.



# Levelling the working field

The straight design of the Demolition Pulverizer makes it optimally suited for primary demolition and secondary reduction of non-reinforced and reinforced concrete structures.

Faster working cycles thanks to the integrated **speed valve**.

Full hydraulic cylinder protection thanks to the **piston rod guard**.

**Cutting blades** are both replaceable and reversible.

**Tooth plates** are replaceable.



**Demolition tooth plate** for primary demolition.



**Recycling tooth plate** for secondary reduction.

360° endless hydraulic rotation allows optimal positioning and precise handling.

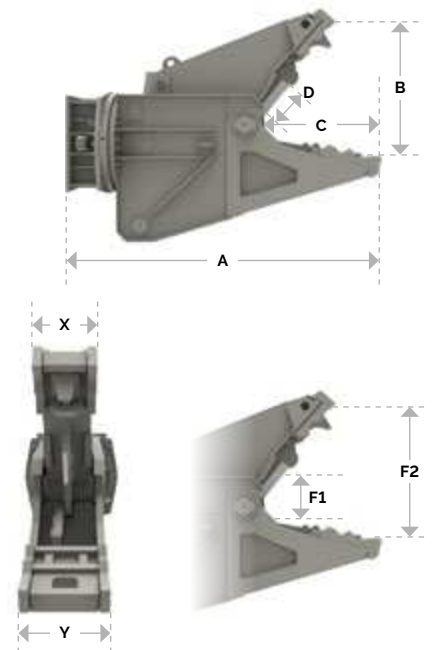


Long-term use is guaranteed by the extremely robust design of the Demolition Pulverizers. Wear parts are also easily replaced on-site.

DP range		DP 2000	DP 2800
Carrier weight class <sup>1)</sup>	t	18 – 27	25 – 35
Service weight <sup>2)</sup>	kg	2.070	2.930
Product weight	kg	1.930	2.725
<b>A</b>	mm	2.320	2.550
<b>B</b>	mm	780	965
<b>C</b>	mm	650	930
<b>D</b>	mm	190	350
<b>X</b>	mm	340	345
<b>Y</b>	mm	460	480
<b>F1</b>	t	265	320
<b>F2</b>	t	85	100
Cycle time (opening/closing)	sec	4.0 / 4.0	4.0 / 4.0
Oil flow rate (opening & closing)	l/min	150 – 250	250 – 350
Max. operating pressure (opening & closing)	bar	350	350
Oil flow rate (rotation)	l/min	35 – 50	35 – 50
Max. operating pressure (rotation)	bar	170	170

<sup>1)</sup> Weights apply to standard carriers only. Any variances must be agreed with Epiroc and/or the carrier manufacturer prior to attachment.

<sup>2)</sup> Attachment with average-sized adapter plate.



# United in performance. Inspired by innovation.

Performance unites us, innovation inspires us, and commitment drives us to keep moving forward. Count on Epiroc to deliver the solutions you need to succeed today and the technology to lead tomorrow.  
**[epiroc.com](http://epiroc.com)**

