



**OilQuick**®

Automatic quick coupler systems

Wheel loaders

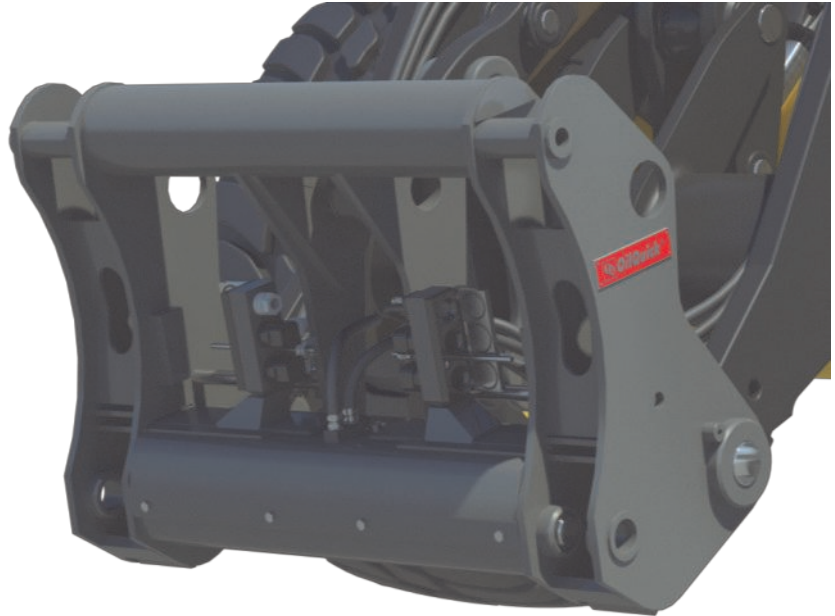


OQL

The intelligent quick coupler system for wheel loaders



## Change hydraulic attachments in seconds



OilQuick is an automatic quick coupler system for wheel loaders, which allows hydraulic work tools to be connected and disconnected directly from the drivers cab.

The operator can change between various work tools within a few seconds, such as log forks, high dumping buckets, pallet forks with hydraulic tine adjustment, sweepers, bale clamps, rotating bale clamps etc. You always therefore have the right attachment for the job.

OilQuick is the most advanced quick coupler system for Wheel loaders and is available in three models for machines from 5 to 33 tons.

The OilQuick system will not only make your excavator but also your company more flexible, competitive and cost effective.

# Benefits with OilQuick

OilQ

## **Fast and efficient**

The OilQuick quick coupler system enables the operator to change over quickly between various mechanical and hydraulic attachments from inside the cab. As a result, he has the right tool for the job in every situation, can work faster and more efficiently.

## **Safe quick coupler system**

OilQuick quick coupler systems are regarded as the safest on the market. Safety features include a hose break valve, a system for constantly readjusting the locking plungers hydraulically, a lock switch with double function, a warning light and alarm.

## **Improved working conditions**

As work tools are changed and coupled automatically, the operator does not have to get down from the cab. No more handling of couplings covered in oil or leaving the cab with unnecessary exposure to risks. OilQuick boosts morale at work, even in a downpour or a blizzard.

## **Eco-friendly**

All OilQuick quick couplers are fitted with leak-free oil quick couplings, which are eco-friendly.

## **More cost effective**

Fast tool change and efficient use of the excavator help to increase productivity. Experience has shown that investing in an OilQuick quick coupler pays off when you have to change hydraulic work tools two or three times a working day.



quick in action



# Basic data

## Quick coupler

Type	OQL 200	OQL 300 - 1	OQL 300 - 2	OQL 300 - 3	OQL 400
Weight (kg)	Ca 125	Ca 220	Ca 290	Ca 390	Ca 490
Max number of couplings	4	6	6	6	6
½" couplings		2	2	2	2
¾" couplings	4	4	4	4	4
Electrical coupling (optional)	yes	yes	yes	yes	yes
Weight of machine (tons)	5-9	6-10	10-14	12-21	20-33

The quick couplers are available in three models for wheel loaders from 5 to 33 t operating weight.

OQL 200



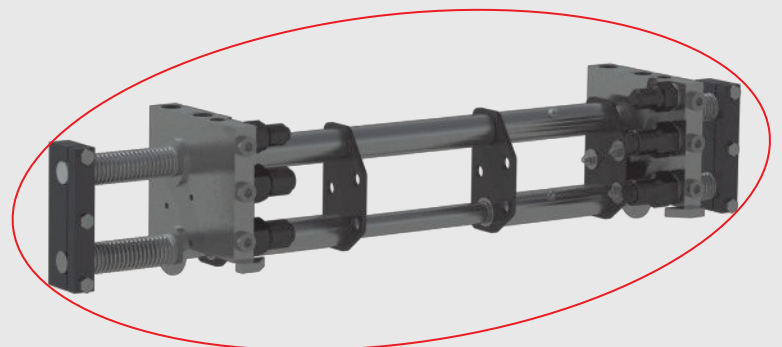
OQL 300



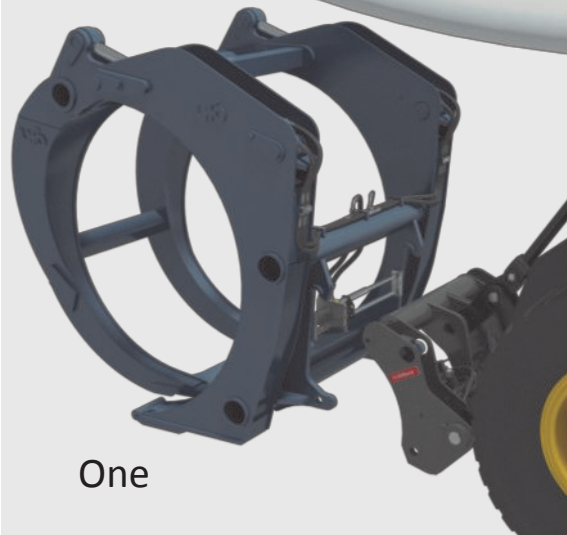
OQL 400



Hydraulic attachment coupling device



# Product description



One



Two



Go!

Change hydraulic attachments in just 10 seconds directly from the drivers cab.

**oilquick®**

