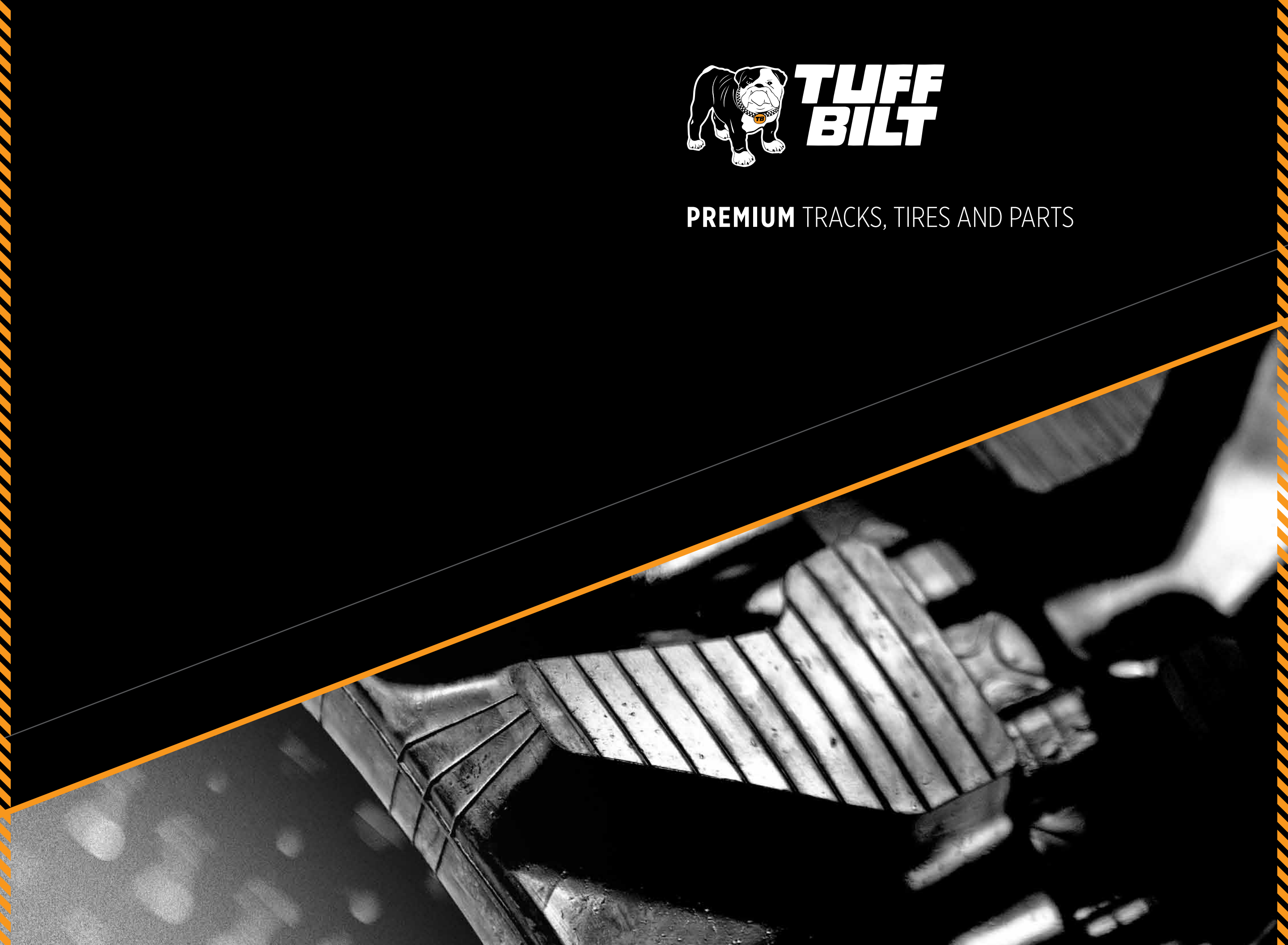


**PREMIUM** TRACKS, TIRES AND PARTS



# WELCOME TO THE WORLD OF TUFFBILT

For over a decade, TuffBilt rubber tracks, tires, and parts have been proving their superior quality and value in demanding conditions on construction equipment throughout the world.

Utilizing cutting edge technology, advanced compounds, and superior components, these top quality products meet and exceed all OEM specifications, and deliver the high performance that TuffBilt customers have come to expect.

TuffBilt products are designed and engineered to uncompromising standards to deliver superior durability in extreme conditions, and lower your overall operating costs.

**TuffBilt—Setting the standard for performance, quality and value. We move the earth!**

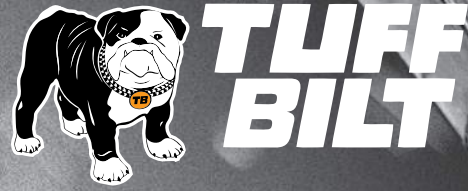


**TUFFBILT—  
ENGINEERED  
TO OUTPERFORM**

# COMPACT EXCAVATOR TRACKS

TuffBilt Compact Excavator Tracks have a proven record of outstanding durability in heavy duty applications. Our advanced rubber compounds are engineered to be cut-resistant and minimize abrasion wear, while remaining both durable and flexible. The core metal links are forged and tempered, and high strength inner steel cables are continuously wound to deliver strength and durability.

PRECISE PITCH MEASUREMENTS ENSURE CORRECT FIT, AND HIGH STRENGTH STEEL CABLES AND CUT RESISTANT RUBBER COMPOUNDS COMBINE TO KEEP YOUR MACHINE OPERATING AT PEAK PERFORMANCE IN DEMANDING CONDITIONS.



## 1 HIGH TECH RUBBER COMPOUNDS

TUFFBILT tracks are formed from high tech rubber compounds, which ensure great flexibility, wear resistance and cut resistance.

## 2 TREAD PATTERNS

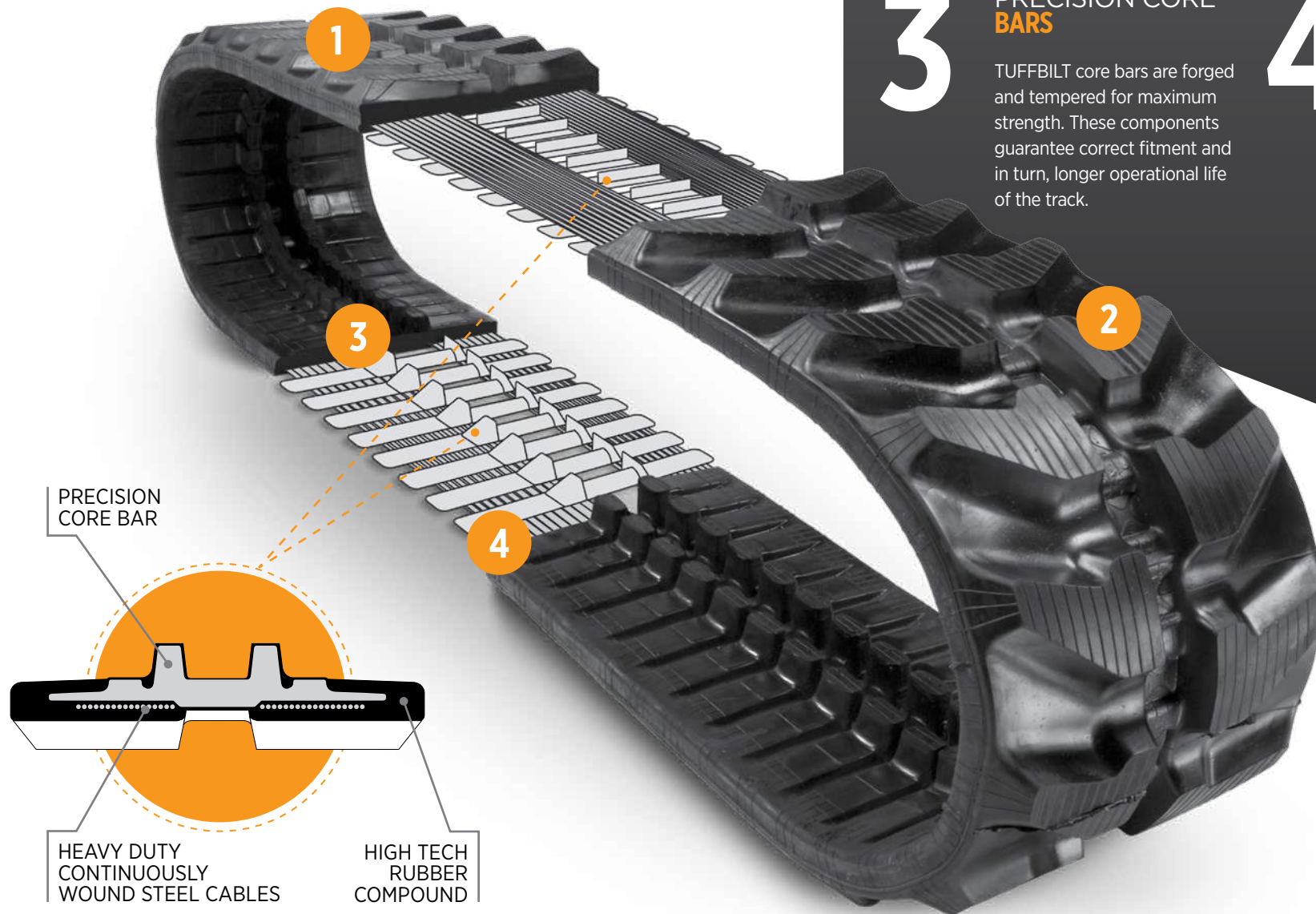
TUFFBILT tread patterns are designed to deliver increased traction, and reduce surface damage, while minimizing wear and vibration in all operating conditions.

## 3 PRECISION CORE BARS

TUFFBILT core bars are forged and tempered for maximum strength. These components guarantee correct fitment and in turn, longer operational life of the track.

## 4 HIGH STRENGTH STEEL CABLES

At the core of TUFFBILT tracks are high strength, high tensile steel cables, which have been continuously wound to eliminate joints and weak spots.



*All TuffBilt Compact Excavator Tracks are backed by Industry Exclusive 18 Month No Hassle Warranty!*

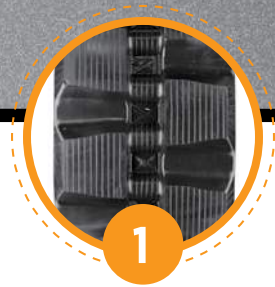
# MULTI-TERRAIN LOADER TRACKS

TuffBilt Rubber Tracks for Multi Terrain Loaders are engineered and manufactured for maximum durability and performance. Utilizing wear and cut-resistant rubber compounds, and premium quality Kevlar internal fabric belting, they consistently deliver superior results.

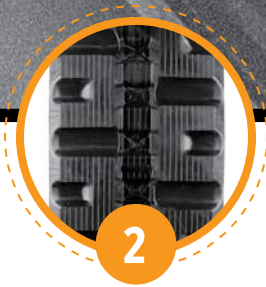
HEAVY DUTY TRACK CARCASS AND INTERNAL KEVLAR FABRIC IS COMBINED WITH ADVANCED RUBBER COMPOUNDS AND PRECISE DRIVETRAIN MEASUREMENTS TO INCREASE TRACK LIFE, AND REDUCE DRIVE LUG FAILURE.



## TUFF BILT



1



2



3



4

1 Staggered Block | 2 C-Lug  
3 Multi Bar | 4 Straight Bar



TUFFBILT  
MULTI-TERRAIN LOADER

TUFFBILT  
COMPACT TRACK LOADER

REAL WORLD TESTING HAS SHOWN THAT TUFFBILT TRACKS CONSISTENTLY OUTLAST COMPETITIVE PRODUCTS, EXTENDING TRACK LIFE BY UP TO 50%.

# COMPACT TRACK LOADER TRACKS

TuffBilt Compact Track Loader tracks are designed to thrive in extreme and demanding conditions. A range of optimum tread patterns, high strength inner steel cores, and anti-vibration engineering work together to provide superior durability, reduced maintenance, and lower operating costs.

All TuffBilt Track Loader Tracks are backed by Industry Exclusive 12 Month No Hassle Warranty!

# SOLID SKID STEER TIRES



**DURA  
GRIP**



**DURA  
PRO**

Introducing DuraGrip and DuraPro Flat-Proof Skid Steer tires by TuffBilt. These severe duty tires are the result of advanced engineering and technology that has taken the aperture tire design to a new level.

DuraGrip Tires are designed with softer rubber compounds and increased apertures to provide enhanced traction and flexibility in rough conditions.

The DuraPro line of tires are engineered to handle extreme duty applications and feature our toughest rubber compounds, minimizing cut and wear damage in even the most severe environments.

THESE SEVERE DUTY TIRES ARE THE RESULT OF ADVANCED ENGINEERING AND TECHNOLOGY THAT HAS TAKEN THE APERTURE TIRE DESIGN TO A NEW LEVEL.



## DURAGRIP

### Recommended Applications:

- General Construction Contractors
- Landscape Contractors
- Municipalities
- Nurseries
- Equipment Rental Companies
- Over-Tire Steel Track Combinations

### Benefits

- More Apertures Increasing Flexibility over rough surfaces
- Softer compound and increased apertures reduces operator fatigue
- Reduces wear & tear on machine components due to decreased weight, lowering maintenance costs
- Increased traction and consistent surface contact due to increased flexibility



## DURAPRO

### Recommended Applications:

- Demolition
- Paving & Concrete Contractors
- Agriculture
- Equipment Rental Companies
- Waste Management Facilities
- Steel Foundries

### Benefits

- Harder more dense rubber compound leads to longer wear life compared to an air tire
- Able to withstand the acids found in agriculture and waste management facilities
- Reduces "tire hop" experienced when skid steers turn on paved surfaces
- TuffBilt rubber compounds are able to handle high heat applications such as paving and foundries



ENGINEERED TO HANDLE EXTREME DUTY APPLICATIONS AND FEATURE OUR TOUGHEST RUBBER COMPOUNDS, MINIMIZING CUT AND WEAR DAMAGE IN EVEN THE MOST SEVERE ENVIRONMENTS.



# RUBBER TRACK PADS

DuraLine® Track Pads—These heavy duty Rubber Track Pads are available for Steel Tracked excavators from 3 to 25 tons, including Case, CAT, Kubota, Kobelco, JCB, Komatsu, New Holland, and many more. DuraLine® Rubber Track Pads are the perfect solution for using your heavy equipment on finished roads and pavement without surface damage, expanding your machines versatility.

3 types of DuraLine® Brand Track Pads are available—Clip-on, Bolt-on and Direct-to-chain or Roadliner Type Pads—depending on your machine and the specific application.

THE PERFECT SOLUTION FOR USING YOUR HEAVY EQUIPMENT ON FINISHED ROADS AND PAVEMENT WITHOUT SURFACE DAMAGE, EXPANDING YOUR MACHINES VERSATILITY.

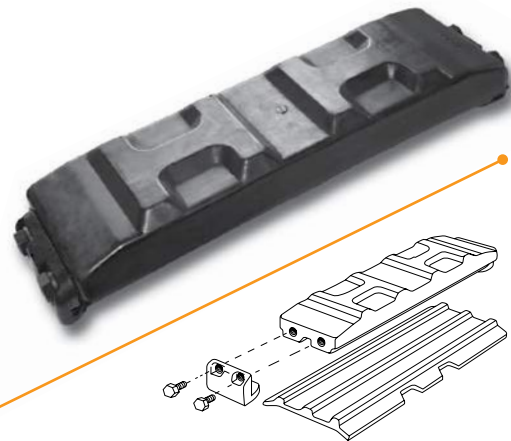


# UNDER CARRIAGE PARTS

TuffBilt Protrac undercarriage parts are made from high strength, Case Hardened Steel, and manufactured to precise OEM specs, enabling you to work safely and effectively at lower cost.

We provide high quality replacement sprockets, rollers and idlers for a variety of machines such as Bobcat, Case, New Holland, Kubota and Takeuchi. All of our Protrac undercarriage parts come with full 6 month warranty coverage.

MADE FROM HIGH STRENGTH, CASE HARDENED STEEL, AND MANUFACTURED TO PRECISE OEM SPECS, ENABLING YOU TO WORK SAFELY AND EFFECTIVELY AT LOWER COST.



**DURALINE CLIP-ON TRACK PAD**



**DURALINE CHAIN-ON TRACK PAD**



**DURALINE BOLT-ON TRACK PAD**



All Protrac undercarriage parts are backed by Industry Exclusive 6 Month No Hassle Warranty!

